

Klippon® K – Aluminium enclosures

Klippon® K-Series aluminium enclosures can be used in a variety of applications, e.g. for the assembly of modular terminal blocks, switches, power supplies, operational and display elements or electronic modules.

The extensive Klippon® K enclosure range has the following advantages:

- More flexibility – 19 different sizes
- Available in two surface finishes – powder-coated and natural
- Mounting holes not within the sealed area
- Fastening thread to attach mounting rails and plates
- Closed moulded gasket (no glue seam)

Weidmüller manufactures and supplies the enclosures to match customer specifications – fully fitted with terminal boxes, electronics and cable glands.



Overview of enclosures

Ordering data

Description	Height x width x depth in mm	Powder-coated (RAL 7001)			Unpainted		
		Standard		Ex enclosure	Standard		Ex enclosure
		CR moulded seal	Silicone moulded seal*	Silicone moulded seal	CR moulded seal	Silicone moulded seal*	Silicone moulded seal
Klippon® K 0	45 x 50 x 30	9529090000	1937920000		0573200000	1939760000	
Klippon® K 01	64 x 58 x 34	9529100000	1937850000		1565240000	1939540000	
Klippon® K 02	64 x 98 x 34	9529110000	1937840000		1565250000	1939550000	
Klippon® K 1	70 x 70 x 45	9529120000	1937630000	1329630000	0342000000	1939560000	9526840000
Klippon® K 11	80 x 75 x 57	9529130000	1937910000	1329640000	0573300000	1939570000	9526850000
Klippon® K 2	70 x 100 x 45	9529140000	1937930000	1329650000	0342100000	1939580000	9526860000
Klippon® K 21	80 x 125 x 57	9529150000	1937830000	1328120000	0573400000	1939590000	9526870000
Klippon® K 3	70 x 165 x 45	9529160000	1937900000	1329670000	0342200000	1939600000	9526880000
Klippon® K 31	80 x 175 x 57	9529170000	1937820000	1329680000	0573500000	1939610000	9526890000
Klippon® K 32	80 x 250 x 55	9529180000	1937810000	1329690000	1565260000	1939620000	9526900000
Klippon® K 4	82 x 130 x 72	9529190000	1937890000	1329700000	0342300000	1939630000	9526910000
Klippon® K 41	120 x 122 x 81	9529200000	1937800000	1329710000	1565270000	1939640000	9526920000
Klippon® K 5	130 x 170 x 90	9529210000	1937860000	1329720000	0342400000	1939650000	9526930000
Klippon® K 51	120 x 220 x 81	9529220000	1937750000	1328130000	1565280000	1939660000	9526940000
Klippon® K 52	160 x 160 x 91	9529230000	1937740000	1329730000	1565290000	1939670000	9526950000
Klippon® K 6	160 x 200 x 100	9529240000	1937870000	1329740000	0342500000	1939690000	9526960000
Klippon® K 61	160 x 260 x 91	9529250000	1937730000	1328140000	0573600000	1939700000	9526970000
Klippon® K 7	160 x 350 x 100	9529260000	1937880000	1329750000	0342600000	1939710000	9526980000
Klippon® K 71	230 x 280 x 111	9529270000	1937720000	1329770000	0573700000	1939730000	9526990000

Note *Delivery time on request

Technical Overview

Features

- Two surfaces: natural and powder-coated
- High IP protection up to IP 68
- Moulded silicone gasket for applications with high temperatures
- A uniform Torx®-slotted screw head is used for over 19 different enclosure sizes.
- Alloy is resistant to salt water
- Approved according to the latest international standards

Note We deliver enclosures through our assembly service which are ready to be connected and suitable for every application

Technical data

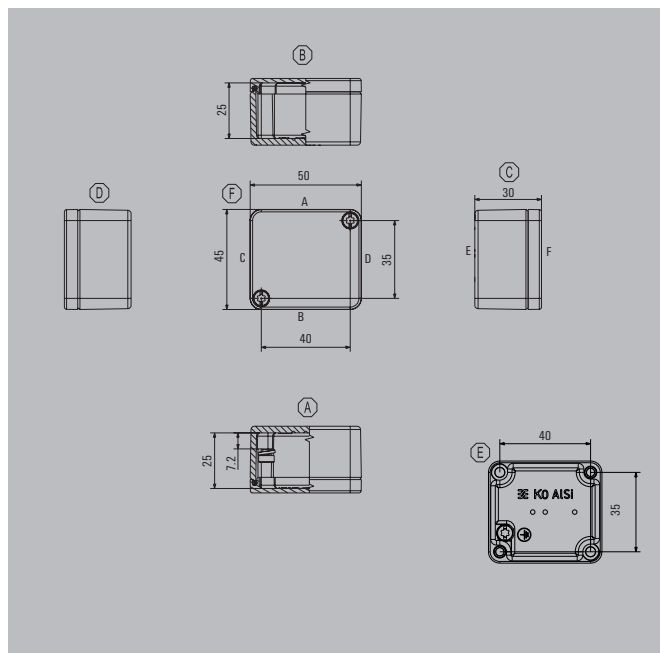
	Ex	Standard
Enclosure material	High quality aluminium alloy (Al-Si12)	High quality aluminium alloy (Al-Si12)
Surface, untreated	Smooth	Smooth
Surface, painted	Silver grey, textured, similar to RAL 7001	Silver grey, textured, similar to RAL 7001
Painting	50-90 µm paint thickness	50-90 µm paint thickness
IP protection class	IP 66, IP 67	IP 66, IP 67 and IP 68*
NEMA		4, 4x
Earthing outside	Earthing studs, M4	
Installation mounting	Flexible DIN rail mounting	Flexible DIN rail mounting
Enclosure mounting	Direct mounting with optional mounting brackets (from a size of 120 x 122 x 81 Klippon® K 41)	Direct mounting with optional mounting brackets (from a size of 120 x 122 x 81 Klippon® K 41)
Lid fixing	Captive stainless steel Torx® 20 or slotted screws.	Captive stainless steel Torx® 20 or slotted screws.
Impact resistance	7J to IEC 60079-0	10J to DIN EN 50102
Gasket material	Silicone (VMQ)	Chloroprene / Silicone (VMQ)
Temperature range	-60 °C...+135 °C	-40 °C...+80 °C with chloroprene gasket / -60 °C...+135 °C with silicone gasket
Lid screws, torque**	2.5 Nm	2.5 Nm
Note	* (t=72h; h=1m) ** To secure the lid we recommend the use of our Torx® TH20 screwdriver (9009160000) Depending on the screw head size, our slotted screwdriver may also be used as an alternative	

Approvals for empty enclosures

	Ex	Standard
ATEX certificate	IBExU12ATEX1144 U	
ATEX marking	II 2G Ex e IIC Gb or II 2G Ex eb IIC II 2D Ex t IIIC Db or II 2D Ex tb IIIC	
IECEX certificate	IECEX IBE 13.0001U	
IECEX marking	Ex e IIC Gb or Ex eb IIC Ex tb IIIC Db or Ex tb IIIC	
EAC	RUC-DE.08.B.00472	RUC-DE.08.B.00472
cULus		E197061
Russian Maritime Register	14.40040.250	14.40040.250
Germanischer Lloyd	4453607 HH	4453607 HH
Installation	The Klippon® K enclosure range can be pre-fitted in our customer specific production department according to your wishes.	
Note	This enclosure range is component certified. If other electrical components are inserted into the case, additional certification is required.	

Approvals for control and distribution box

	Ex	EAC certificate	RUC-DE.08.B.01328
ATEX certificate	IBExU12ATEX1145 X	EAC certificate	RUC-DE.08.B.01328
ATEX marking	II 2G Ex e IIC T6...T4 Gb or II 2G Ex eb IIC T6...T4 II 2G Ex ia IIC T6...T4 Gb or II 2 Ex ia IIC T6...T4 II 2(1)G Ex e ia IIC T6...T4 Gb or II 2(1)G Ex eb ia IIC T6...T4 II 2D Ex t IIIC T85°C...135°C Db or II 2 D Ex tb IIIC T85°C...135°C	EAC marking	II 2 G Ex eb IIC T6... T4 II 2 G Ex e IIC T6... T4 Gb II 2 G Ex ia IIC T6... T4 II 2 G Ex ia IIC T6... T4 Gb II 2(1) G Ex eb ia IIC T6... T4 II 2(1) G Ex e ia IIC T6... T4 Gb II 2 D Ex tb IIIC T85°C...T135°C II 2 D Ex tb IIIC T85°C...T135°C Db
IECEX certificate	IECEX IBE 13.0002X		
IECEX marking	Ex e IIC T6...T4 Gb or Ex eb IIC T6...T4 Ex ia IIC T6...T4 Gb Ex e ia IIC T6...T4 Gb Ex tb IIIC T85°C...135°C Db or Ex tb IIIC T85°C...135°C		
Note	If you have specific requirements for equipment operating in explosive hazard areas, please contact us at Weidmüller to receive a full copy of the certification. For details of power dissipation, please contact your Weidmüller representative.		



Height / Width / Depth 45 / 50 / 30 mm



Ordering data

powder-coated (RAL 7001)		Order No.
	Standard (CR seal)	9529090000
	Standard (silicone seal)	1937920000
unpainted		
	Standard (CR seal)	0573200000
	Standard (silicone seal)	1939760000
Note	The colours of painted enclosures may vary under certain circumstances.	

Accessories





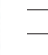
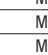
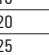
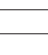
Torx®screwdriver		Order No.
	uninsulated, Torx® TH20	9009160000
Compensating element		
	Polyamide 6, M12	1868570000
	Stainless steel 1.4305, M12	1868550000

Max. number of terminals (industry)

Assembly with terminal	vertical	horizontal
	2.5 mm² 1x1*	1x1*
	4 mm² 1x1*	1x1*
	6 mm²	
	10 mm²	
	16 mm²	

Note *Please refer to the Terminal Block catalogue or the SAK Series for more information about assembling the enclosures with terminal blocks. There are no prescribed possible attachment points in the enclosure.

Number of cable entries

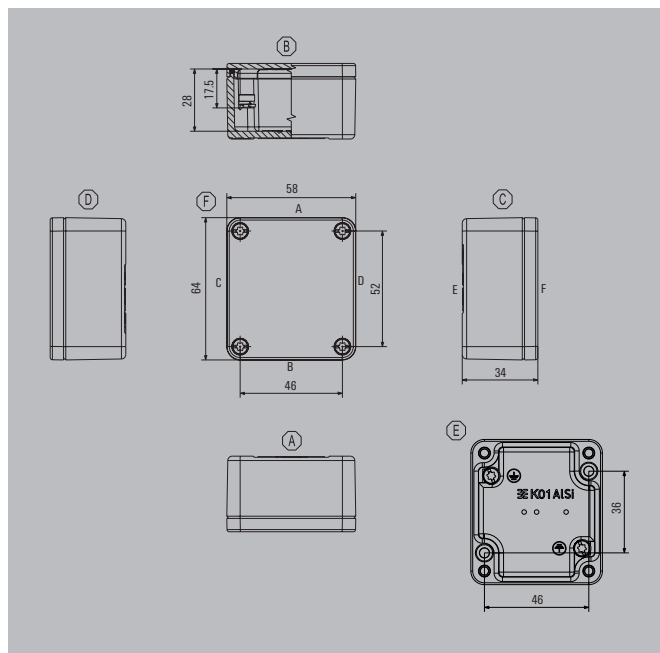
Number of cable entries	A / B	C / D
	M12 1	1
	M16 1	1
	M20	
	M25	
	M32	
	M40	
	M50	
	M63	

Note Our IP68 brass cable glands are used as the reference for these guideline values.

Note Helicoil for outdoor applications, available ex-works.

Klippon® K 01

Depth **34 mm**



Height / Width / Depth 64 / 58 / 34 mm



Ordering data

powder-coated (RAL 7001)	Order No.
Standard (CR seal)	9529100000
Standard (silicone seal)	1937850000
unpainted	Order No.
Standard (CR seal)	1565240000
Standard (silicone seal)	1939540000
Note	The colours of painted enclosures may vary under certain circumstances.

Accessories









Torx® screwdriver	Order No.
uninsulated, Torx® TH20	9009160000
Compensating element	Order No.
Polyamide 6, M12	1868570000
Stainless steel 1.4305, M12	1868550000

Max. number of terminals (industry)

Assembly with terminal	vertical	horizontal
	1x1*	1x1*
	1x1*	1x1*
	6 mm²	
	10 mm²	
	16 mm²	

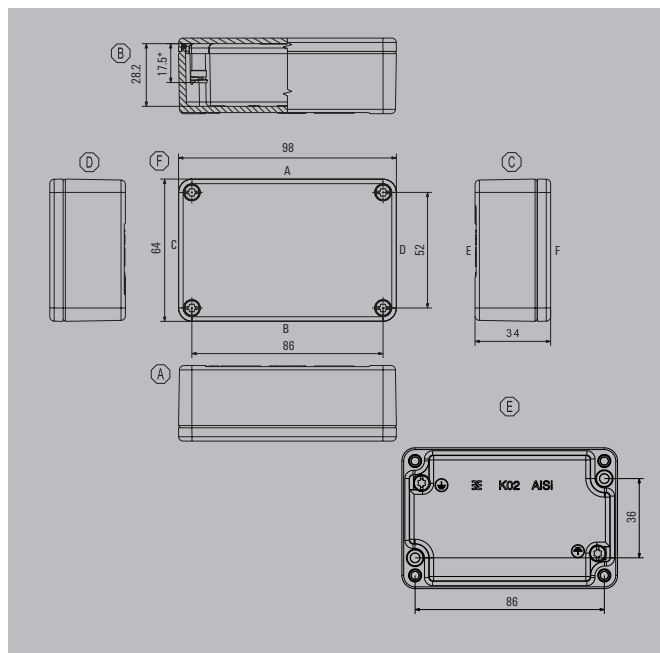
Note *Please refer to the Terminal Block catalogue or the SAK Series for more information about assembling the enclosures with terminal blocks. There are no prescribed possible attachment points in the enclosure.

Number of cable entries

Number of cable entries	A / B	C / D
	1	1
	1	1
		
		
		
		
		
		

Note Our IP68 brass cable glands are used as the reference for these guideline values.

Note Helicoil for outdoor applications, available ex-works.



Height / Width / Depth 64 / 98 / 34 mm



Ordering data

powder-coated (RAL 7001)		Order No.
	Standard (CR seal)	9529110000
	Standard (silicone seal)	1937840000
unpainted		
	Standard (CR seal)	1565250000
	Standard (silicone seal)	1939550000
Note	The colours of painted enclosures may vary under certain circumstances.	

Accessories




Torx®screwdriver		Order No.
	uninsulated, Torx® TH20	9009160000
Compensating element		
	Polyamide 6, M12	1868570000
	Stainless steel 1.4305, M12	1868550000
	Stainless steel 1.4404, M20 for Ex applications	1344630000

Max. number of terminals (industry)

Assembly with terminal	vertical	horizontal
	2.5 mm² 1x1*	1x1*
	4 mm² 1x1*	1x1*
	6 mm²	
	10 mm²	
	16 mm²	

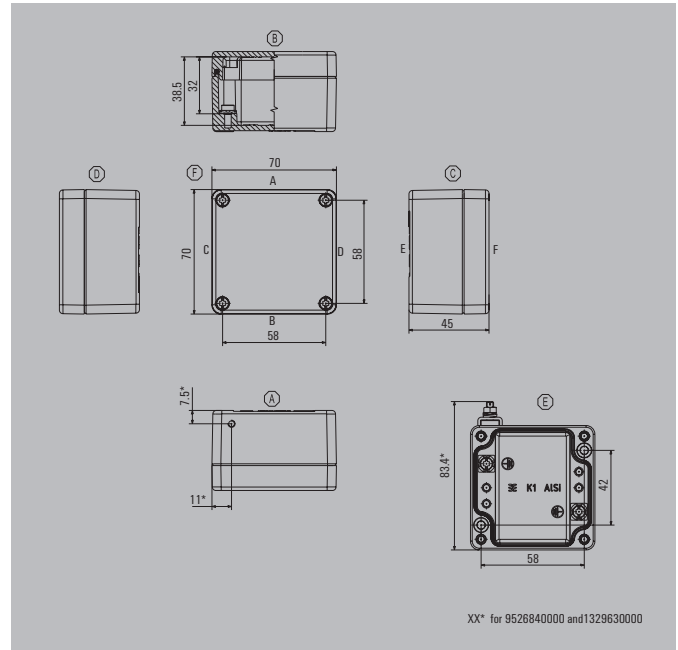
Note *Please refer to the Terminal Block catalogue or the SAK Series for more information about assembling the enclosures with terminal blocks. There are no prescribed possible attachment points in the enclosure.

Number of cable entries

Number of cable entries	A / B	C / D
	M12 3	1
	M16 3	1
	M20 2	
	M25	
	M32	
	M40	
	M50	
	M63	

Note Our IP68 brass cable glands are used as the reference for these guideline values.

Note Helicoil for outdoor applications, available ex-works.



Height / Width / Depth 70 / 70 / 45 mm

Ordering data

powder-coated (RAL 7001)	Order No.
Standard (CR seal)	9529120000
Standard (silicone seal)	1937630000
Ex enclosure (silicone seal)	1329630000
unpainted	Order No.
Standard (CR seal)	0342000000
Standard (silicone seal)	1939560000
Ex enclosure (silicone seal)	9526840000
Note	The colours of painted enclosures may vary under certain circumstances.

Accessories

Terminal rail, Set	Order No.
15 mm width	1909980000
Mounting plate	Order No.
Steel sheet, zinc plated	1905280000
Torx®screwdriver	Order No.
uninsulated, Torx® TH20	9009160000
Earthing stud	Order No.
Brass, M6	1277250000
Stainless steel 1.4404, M6	1283430000
Compensating element	Order No.
Polyamide 6, M12	1868570000
Stainless steel 1.4305, M12	1868550000
Stainless steel 1.4404, M20 for Ex applications	1344630000

Note The accessory sets contain the necessary mounting materials. Helicoil for outdoor applications, available ex-works.

Max. number of terminals (industry)

Assembly with terminal	vertical	horizontal
2.5 mm ²	1x1*	1x5
4 mm ²	1x1*	1x1*
6 mm ²		
10 mm ²		
16 mm ²		

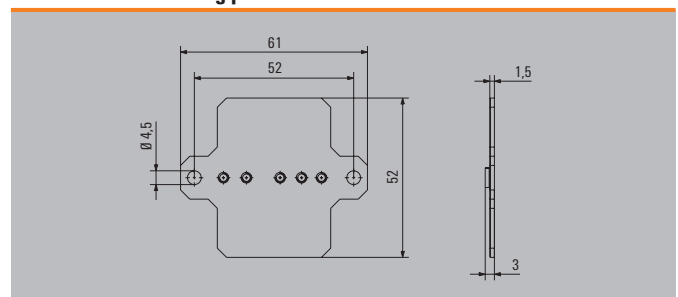
Note *Please refer to the Terminal Block Catalogue or the SAK Series for more information about populating the enclosures with terminal blocks. For vertical installations, we recommend using not more than one BK 4 or BK 4 CRN (0625120000). For horizontal installations with 2.5mm² 1x5 AKZ terminal blocks (only possible on a TS 15) for 4mm², use not more than one BK 4. There are no pre-defined mounting points set within this enclosure for installing internal equipment in a vertical position.

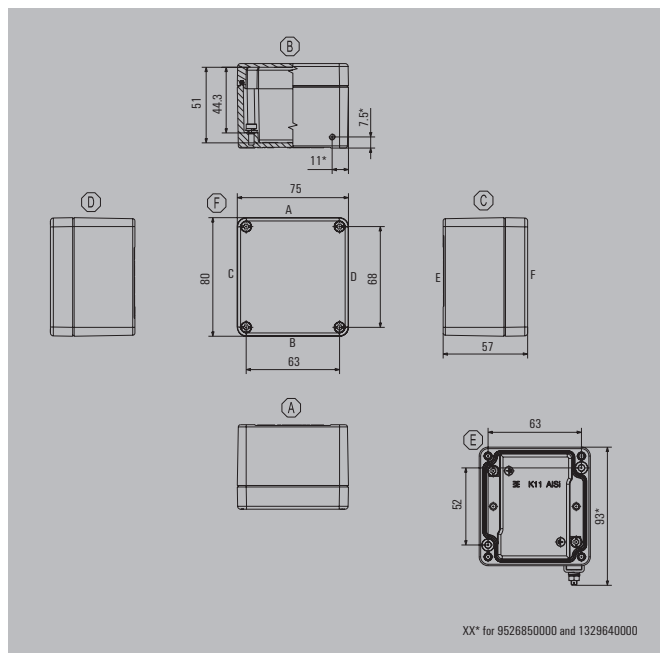
Number of cable entries

Number of cable entries	A / B	C / D
M12	2	1
M16	2	1
M20	1	
M25		
M32		
M40		
M50		
M63		

Note Our IP68 brass cable glands are used as the reference for these guideline values.

Dimensions of mounting plate





XX* for 9526850000 and 1329640000

Height / Width / Depth 80 / 75 / 57 mm

Ordering data

powder-coated (RAL 7001)		Order No.
	Standard (CR seal)	9529130000
	Standard (silicone seal)	1937910000
	Ex enclosure (silicone seal)	1329640000
unpainted		
	Standard (CR seal)	0573300000
	Standard (silicone seal)	1939570000
	Ex enclosure (silicone seal)	9526850000
Note	The colours of painted enclosures may vary under certain circumstances.	

Accessories

Terminal rail, Set		Order No.
	15 mm width	1909990000
Mounting plate		
	Steel sheet, zinc plated	3073000000
Hinge, diecast zinc, Set		
		1580360000
Torx® screwdriver		
	uninsulated, Torx® TH20	9009160000
Earthing stud		
	Brass, M6	1277250000
	Stainless steel 1.4404, M6	1283430000
Compensating element		
	Polyamide 6, M12	1868570000
	Stainless steel 1.4305, M12	1868550000
	Stainless steel 1.4404, M20 for Ex applications	1344630000

Note The accessory sets contain the necessary mounting materials. Necessary on use of 1 hinge per longitudinal side. Helicoil for outdoor applications, available ex-works.

Max. number of terminals (industry)

Assembly with terminal	vertical	horizontal
	2.5 mm ²	1x1*
	4 mm ²	1x1*
	6 mm ²	
	10 mm ²	
	16 mm ²	



Note *Please refer to the Terminal Block Catalogue or the SAK Series for more information about populating the enclosures with terminal blocks. We recommend at most one BK 6 or BK 6 CRN (0625220000) in vertical installations. There are no pre-defined mounting points set within this enclosure for installing internal equipment in a vertical position.

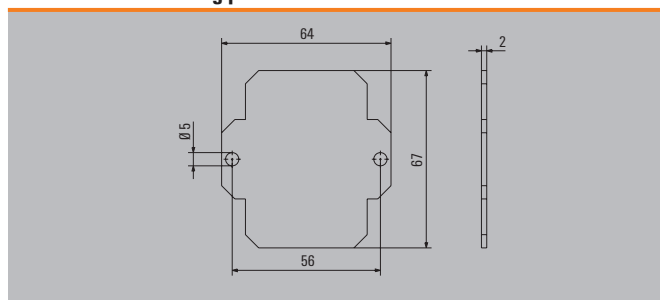
Number of cable entries

Number of cable entries	A / B	C / D
	M12	2
	M16	2
	M20	1
	M25	1
	M32	
	M40	
	M50	
	M63	



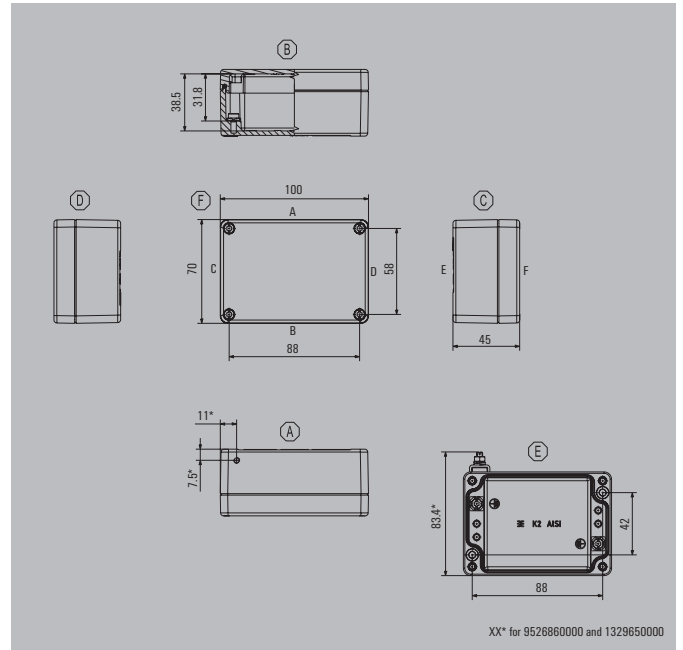
Note Our IP68 brass cable glands are used as the reference for these guideline values.

Dimensions of mounting plate



Klippon® K 2

Depth 45 mm



Height / Width / Depth 70 / 100 / 45 mm

Ordering data

powder-coated (RAL 7001)		Order No.
	Standard (CR seal)	9529140000
	Standard (silicone seal)	1937930000
	Ex enclosure (silicone seal)	1329650000
unpainted		
	Standard (CR seal)	0342100000
	Standard (silicone seal)	1939580000
	Ex enclosure (silicone seal)	9526860000
Note	The colours of painted enclosures may vary under certain circumstances.	

Accessories

Terminal rail, Set		Order No.
	15 mm width	1910010000
Mounting plate		
	Steel sheet, zinc plated	1905270000
Torx®screwdriver		
	uninsulated, Torx® TH20	9009160000
Earthing stud		
	Brass, M6	1277250000
	Stainless steel 1.4404, M6	1283430000
Compensating element		
	Polyamide 6, M12	1868570000
	Stainless steel 1.4305, M12	1868550000
	Stainless steel 1.4404, M20 for Ex applications	1344630000

Note The accessory sets contain the necessary mounting materials. Helicoil for outdoor applications, available ex-works.

Max. number of terminals (industry)

Assembly with terminal	vertical	horizontal
	2.5 mm ²	* 1x10
	4 mm ²	*
	6 mm ²	
	10 mm ²	
	16 mm ²	

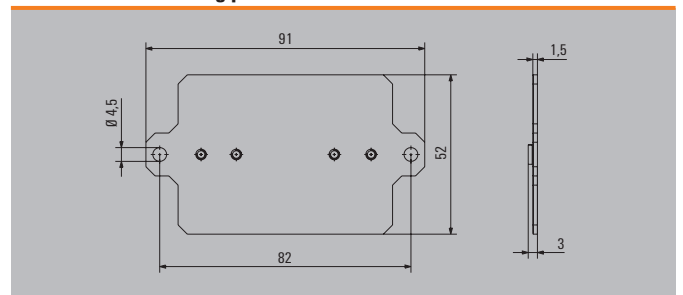
Note *Please refer to the Terminal Block Catalogue or the SAK Series for more information about populating the enclosures with terminal blocks. We recommend at most one BK 6 or BK 6 CRN (0625220000) for vertical installations. There are no pre-defined mounting points set within this enclosure for installing internal equipment in a vertical position.

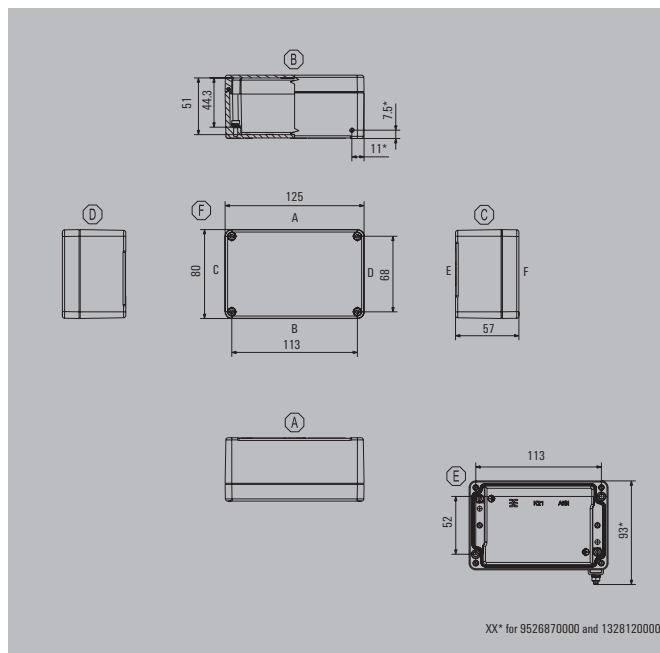
Number of cable entries

Number of cable entries	A / B	C / D
	M12	3
	M16	3
	M20	2
	M25	
	M32	
	M40	
	M50	
	M63	

Note Our IP68 brass cable glands are used as the reference for these guideline values.

Dimensions of mounting plate





XX* for 9526870000 and 1328120000

Height / Width / Depth 80 / 125 / 57 mm

Ordering data

powder-coated (RAL 7001)		Order No.
	Standard (CR seal)	9529150000
	Standard (silicone seal)	1937830000
	Ex enclosure (silicone seal)	1328120000
unpainted		
	Standard (CR seal)	0573400000
	Standard (silicone seal)	1939590000
	Ex enclosure (silicone seal)	9526870000
Note	The colours of painted enclosures may vary under certain circumstances.	

Accessories

Terminal rail, Set		Order No.
	15 mm width	1910020000
Mounting plate		
	Steel sheet, zinc plated	3073020000
Hinge, diecast zinc, Set		
		1580360000
Torx®screwdriver		
	uninsulated, Torx® TH20	9009160000
Earthing stud		
	Brass, M6	1277250000
	Stainless steel 1.4404, M6	1283430000
Compensating element		
	Stainless steel 1.4305, M12	1868550000
	Polyamide 6, M12	1868570000
	Stainless steel 1.4404, M20 for Ex applications	1344630000

Note The accessory sets contain the necessary mounting materials. Necessary on use of 1 hinge per longitudinal side. Helicoil for outdoor applications, available ex-works.

Max. number of terminals (industry)

Assembly with terminal	vertical	horizontal
	2.5 mm ²	* 1x15
	4 mm ²	* 1x12
	6 mm ²	
	10 mm ²	
	16 mm ²	



Note *Please refer to the Terminal Block Catalogue or the SAK Series for more information about populating the enclosures with terminal blocks. We recommend BK 6 or BK 6 CRN (0625220000) for vertical installations. There are no pre-defined mounting points set within this enclosure for installing internal equipment in a vertical position.

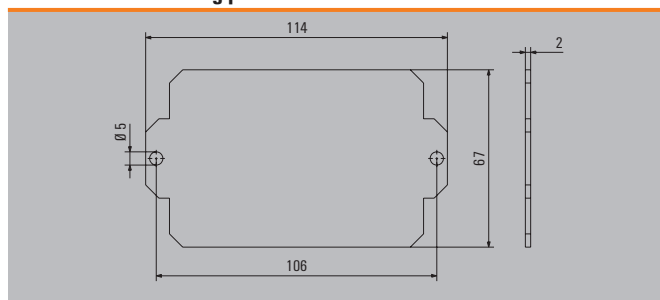
Number of cable entries

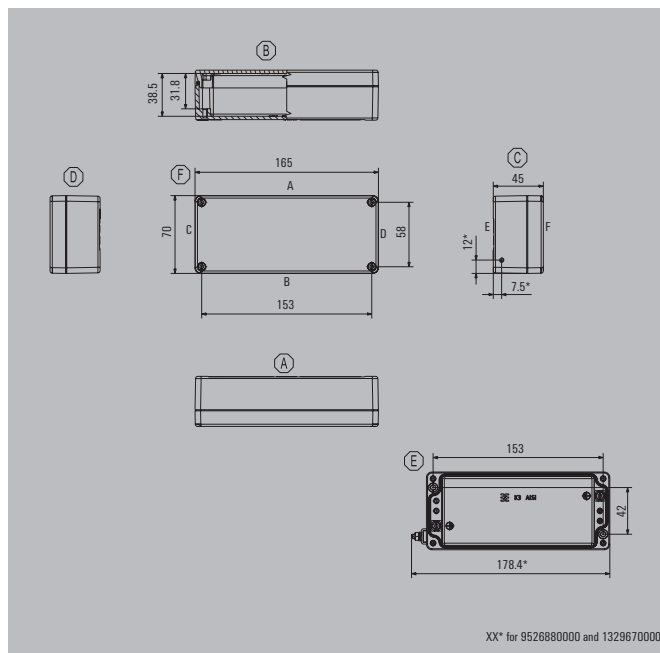
Number of cable entries	A / B	C / D
	M12	6
	M16	4
	M20	3
	M25	2
	M32	
	M40	
	M50	
	M63	



Note Our IP68 brass cable glands are used as the reference for these guideline values.

Dimensions of mounting plate





Height / Width / Depth 70 / 165 / 45 mm

Ordering data

powder-coated (RAL 7001)		Order No.
	Standard (CR seal)	9529160000
	Standard (silicone seal)	1937900000
	Ex enclosure (silicone seal)	1329670000
unpainted		
	Standard (CR seal)	0342200000
	Standard (silicone seal)	1939600000
	Ex enclosure (silicone seal)	9526880000
Note	The colours of painted enclosures may vary under certain circumstances.	

Accessories

Terminal rail, Set		Order No.
	15 mm width	1910030000
Mounting plate		
	Steel sheet, zinc plated	1898210000
Torx®screwdriver		
	uninsulated, Torx® TH20	9009160000
Earthing stud		
	Brass, M6	1277250000
	Stainless steel 1.4404, M6	1283430000
Compensating element		
	Stainless steel 1.4305, M12	1868550000
	Polyamide 6, M12	1868570000
	Stainless steel 1.4404, M20 for Ex applications	1344630000

Note The accessory sets contain the necessary mounting materials. Helicoil for outdoor applications, available ex-works.

Max. number of terminals (industry)

Assembly with terminal	vertical	horizontal
	2.5 mm ²	* 1x22
	4 mm ²	*
	6 mm ²	
	10 mm ²	
	16 mm ²	



Note *Please refer to the Terminal Block Catalogue or the SAK Series for more information about populating the enclosures with terminal blocks. We recommend BK 6 or BK 6 CRN (0625220000) for vertical installations. There are no pre-defined mounting points set within this enclosure for installing internal equipment in a vertical position.

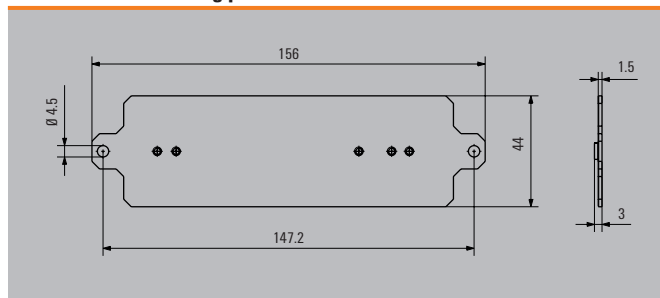
Number of cable entries

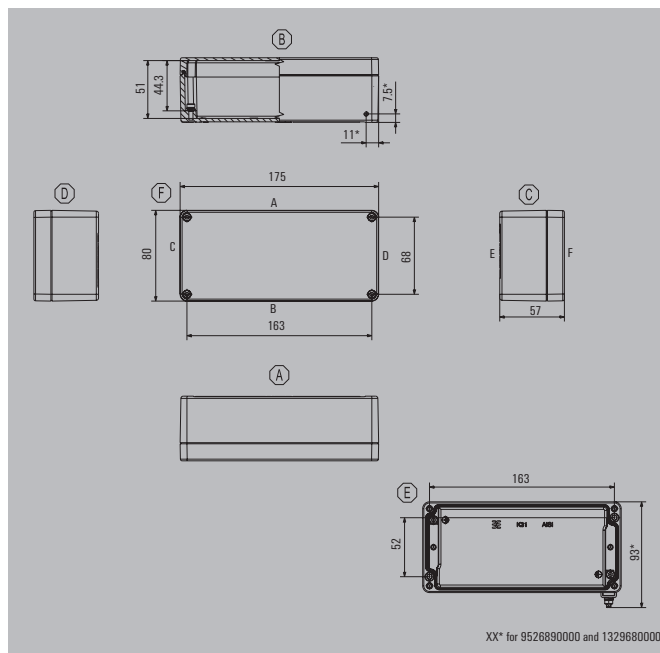
Number of cable entries	A / B	C / D
	M12	6
	M16	5
	M20	4
	M25	
	M32	
	M40	
	M50	
	M63	



Note Our IP68 brass cable glands are used as the reference for these guideline values.

Dimensions of mounting plate





Height / Width / Depth 80 / 175 / 57 mm

Ordering data

powder-coated (RAL 7001)		Order No.
	Standard (CR seal)	9529170000
	Standard (silicone seal)	1937820000
	Ex enclosure (silicone seal)	1329680000
unpainted		
	Standard (CR seal)	0573500000
	Standard (silicone seal)	1939610000
	Ex enclosure (silicone seal)	9526890000
Note	The colours of painted enclosures may vary under certain circumstances.	

Accessories

Terminal rail, Set		Order No.
	15 mm width	1910040000
Mounting plate		
	Steel sheet, zinc plated	3073040000
Hinge, diecast zinc, Set		
		1580360000
Torx®screwdriver		
	uninsulated, Torx® TH20	9009160000
Earthing stud		
	Brass, M6	1277250000
	Stainless steel 1.4404, M6	1283430000
Compensating element		
	Stainless steel 1.4305, M12	1868550000
	Polyamide 6, M12	1868570000
	Stainless steel 1.4404, M20 for Ex applications	1344630000

Max. number of terminals (industry)

Assembly with terminal	vertical	horizontal
	2.5 mm ²	* 1x23
	4 mm ²	* 1x19
	6 mm ²	
	10 mm ²	
	16 mm ²	



Note *Please refer to the Terminal Block Catalogue or the SAK Series for more information about populating the enclosures with terminal blocks. We recommend BK 6 or BK 6 CRN (0625220000) for vertical installations. There are no pre-defined mounting points set within this enclosure for installing internal equipment in a vertical position.

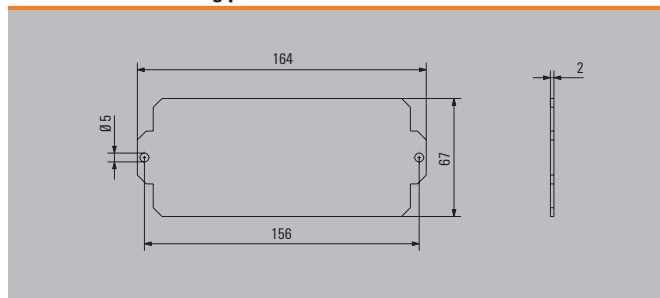
Number of cable entries

Number of cable entries	A / B	C / D
	M12	9
	M16	6
	M20	4
	M25	3
	M32	
	M40	
	M50	
	M63	



Note Our IP68 brass cable glands are used as the reference for these guideline values.

Dimensions of mounting plate



Note The accessory sets contain the necessary mounting materials. Necessary on use of 1 hinge per longitudinal side. Helicoil for outdoor applications, available ex-works.

Klippon® K 32

Depth 55 mm



Height / Width / Depth 80 / 250 / 55 mm

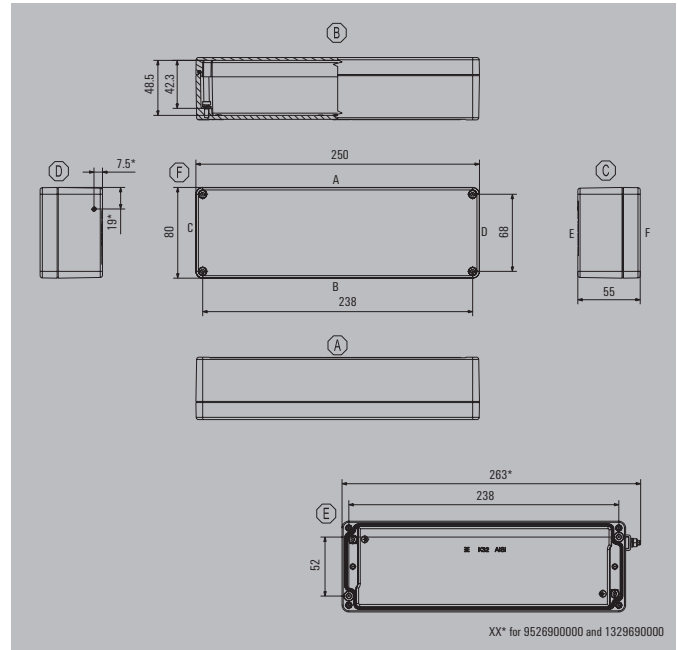
Ordering data

powder-coated (RAL 7001)		Order No.
	Standard (CR seal)	9529180000
	Standard (silicone seal)	1937810000
	Ex enclosure (silicone seal)	1329690000
unpainted		
	Standard (CR seal)	1565260000
	Standard (silicone seal)	1939620000
	Ex enclosure (silicone seal)	9526900000
Note	The colours of painted enclosures may vary under certain circumstances.	

Accessories

Mounting plate		Order No.
	Steel sheet, zinc plated	3073050000
Torx®screwdriver		
	uninsulated, Torx® TH20	9009160000
Earthing stud		
	Brass, M6	1277250000
	Stainless steel 1.4404, M6	1283430000
Compensating element		
	Stainless steel 1.4305, M12	1868550000
	Polyamide 6, M12	1868570000
	Stainless steel 1.4404, M20 for Ex applications	1344630000

Note The accessory sets contain the necessary mounting materials. Helicoil for outdoor applications, available ex-works.



Max. number of terminals (industry)

Assembly with terminal	vertical	horizontal
	2.5 mm ²	* 1x38
	4 mm ²	* 1x32
	6 mm ²	
	10 mm ²	
	16 mm ²	

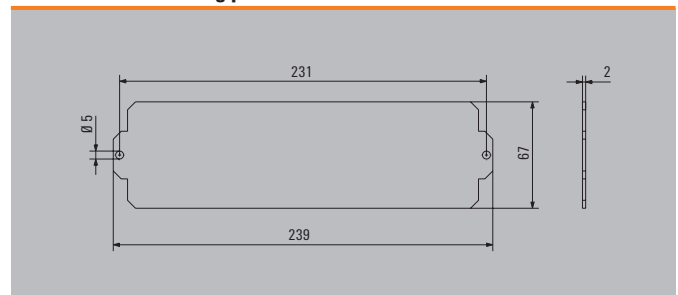
Note *Please refer to the Terminal Block Catalogue or the SAK Series for more information about populating the enclosures with terminal blocks. We recommend BK 6 or BK 6 CRN (0625220000) for vertical installations. There are no pre-defined mounting points set within this enclosure for installing internal equipment in a vertical position.

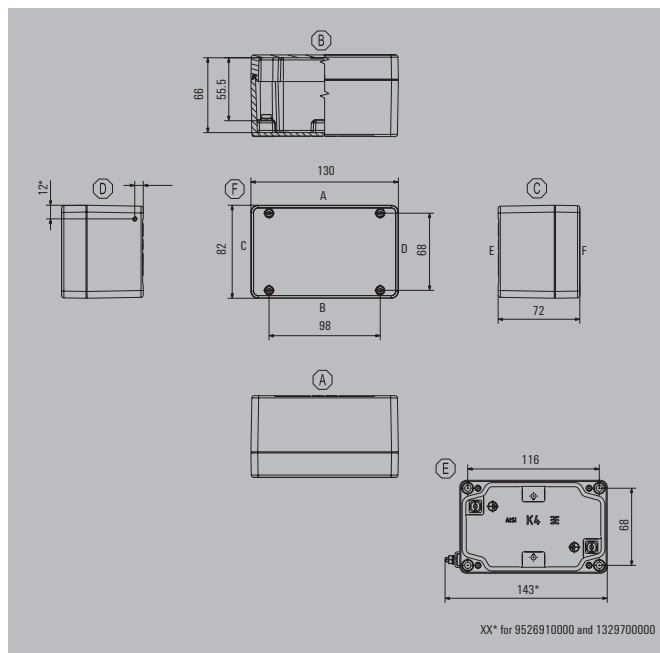
Number of cable entries

Number of cable entries	A / B	C / D
	M12	15
	M16	9
	M20	7
	M25	6
	M32	
	M40	
	M50	
	M63	

Note Our IP68 brass cable glands are used as the reference for these guideline values.

Dimensions of mounting plate





Height / Width / Depth 82 / 130 / 72 mm

Ordering data

powder-coated (RAL 7001)	Order No.
Standard (CR seal)	9529190000
Standard (silicone seal)	1937890000
Ex enclosure (silicone seal)	1329700000
unpainted	Order No.
Standard (CR seal)	0342300000
Standard (silicone seal)	1939630000
Ex enclosure (silicone seal)	9526910000

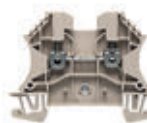
Note The colours of painted enclosures may vary under certain circumstances.

Accessories

Terminal rail, Set	Order No.
35 mm width	1910060000
Mounting plate	Order No.
Steel sheet, zinc plated	3073060000
Hinge, diecast zinc, Set	Order No.
	1580360000
Torx®screwdriver	Order No.
uninsulated, Torx® TH20	9009160000
Earthing stud	Order No.
Brass, M6	1277250000
Stainless steel 1.4404, M6	1283430000
Brass, M10	1277220000
Stainless steel 1.4404, M10	1283440000
Compensating element	Order No.
Stainless steel 1.4305, M12	1868550000
Polyamide 6, M12	1868570000
Stainless steel 1.4404, M20 for Ex applications	1344630000

Max. number of terminals (industry)

Assembly with terminal	vertical	horizontal
2.5 mm ²	1x5	*
4 mm ²	1x4	*
6 mm ²	1x3	
10 mm ²	1x2	
16 mm ²		



Note The mounting rails are designed to be installed directly. Assembly with terminals provides for 10 mm clearance to the ends of the mounting rail. Ordering recommendations: TS 35 mounting rail (screw-type terminals) WDU 2.5 1020000000 / (tension clamp terminals) ZDU 2.5 1608510000 *For fitting the enclosures with terminal blocks, please refer to the Terminal block catalogue or the SAK series. We recommend BK 6 or BK 6 CRN (0825220000) for horizontal installations. There are no pre-defined mounting points set within this enclosure for installing internal equipment in a horizontal position.

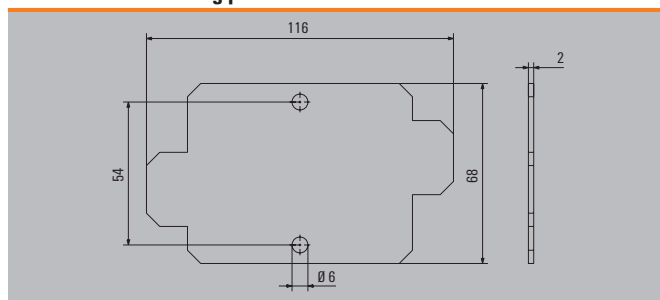
Number of cable entries

Number of cable entries	A / B	C / D
M12	5	2
M16	3	2
M20	2	1
M25	2	1
M32		1
M40		
M50		
M63		

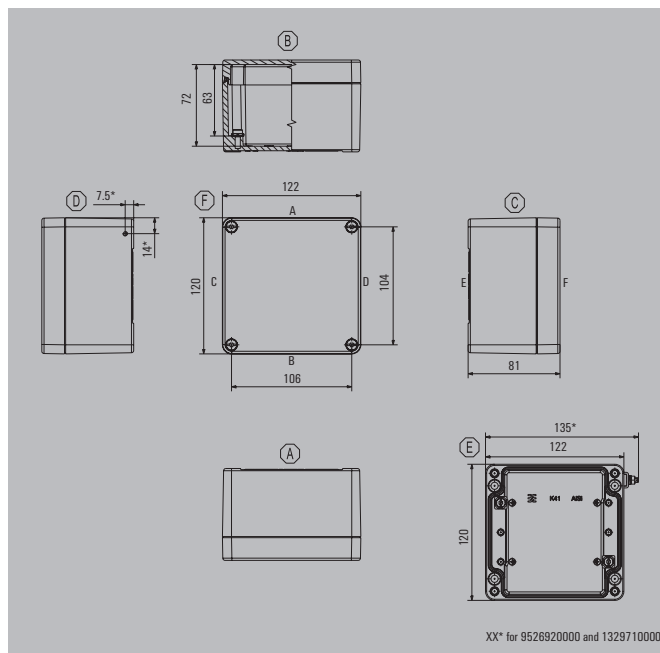


Note Our IP68 brass cable glands are used as the reference for these guideline values.

Dimensions of mounting plate



Note Sets also contain the mounting material, if necessary. 1 hinge per longitudinal side. Helicoil for outdoor applications, available ex-works.



Height / Width / Depth 120 / 122 / 81 mm

Ordering data

powder-coated (RAL 7001)		Order No.
	Standard (CR seal)	9529200000
	Standard (silicone seal)	1937800000
	Ex enclosure (silicone seal)	1329710000
unpainted		
	Standard (CR seal)	1565270000
	Standard (silicone seal)	1939640000
	Ex enclosure (silicone seal)	9526920000

Note The colours of painted enclosures may vary under certain circumstances.

Accessories

Terminal rail, Set		Order No.
	35 mm width	1910070000
Mounting plate		
	Steel sheet, zinc plated	3073070000
Hinge, diecast zinc, Set		1580360000
External mounting feet, set of 4		
	Stainless steel 1.4301	9527590000
Torx®screwdriver		
	uninsulated, Torx® TH20	9009160000
Earthing stud		
	Brass, M6	1277250000
	Stainless steel 1.4404, M6	1283430000
	Brass, M10	1277220000
	Stainless steel 1.4404, M10	1283440000
Compensating element		
	Stainless steel 1.4305, M12	1868550000
	Polyamide 6, M12	1868570000
	Stainless steel 1.4404, M20 for Ex applications	1344630000

Note The accessory sets contain the necessary mounting materials. Necessary on use of 1 hinge per longitudinal side. Helicoil for outdoor applications, available ex-works.

Max. number of terminals (industry)

Assembly with terminal	vertical	horizontal
2.5 mm ²	*	1x13
4 mm ²	*	1x11
6 mm ²		1x8
10 mm ²		1x6
16 mm ²		

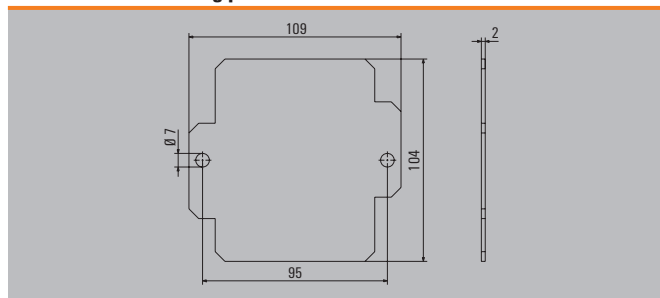
Note *Please refer to the Terminal Block Catalogue or the SAK Series for more information about populating the enclosures with terminal blocks. We recommend BK 6 or BK 6 CRN (0625220000) for vertical installations. There are no specified mounting options available for mounting the enclosure in a vertical position. There are no pre-defined mounting points set within this enclosure for installing internal equipment in a vertical position.

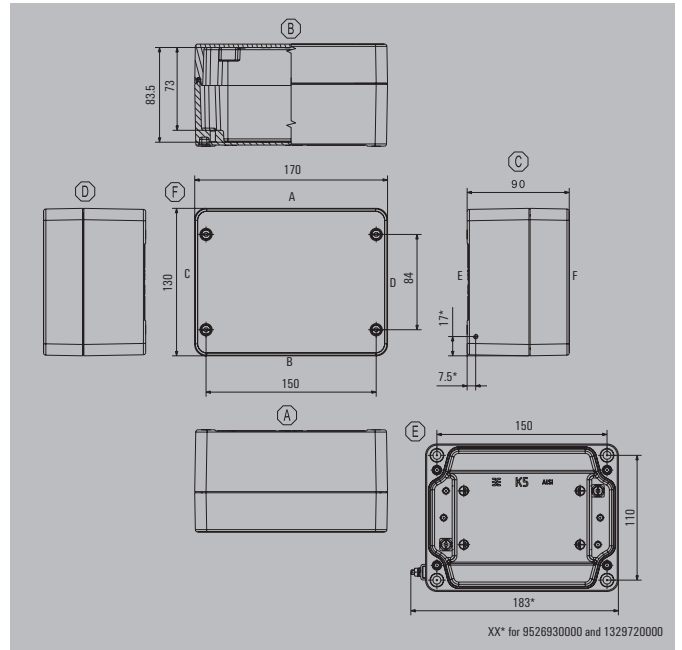
Number of cable entries

Number of cable entries	A / B	C / D
	M12	6
	M16	6
	M20	3
	M25	2
	M32	1
	M40	1
	M50	
	M63	

Note Our IP68 brass cable glands are used as the reference for these guideline values.

Dimensions of mounting plate





XX* for 9526930000 and 1329720000

Height / Width / Depth 130 / 170 / 90 mm

Ordering data

powder-coated (RAL 7001)		Order No.
	Standard (CR seal)	9529210000
	Standard (silicone seal)	1937860000
	Ex enclosure (silicone seal)	1329720000
unpainted		
	Standard (CR seal)	0342400000
	Standard (silicone seal)	1939650000
	Ex enclosure (silicone seal)	9526930000
Note	The colours of painted enclosures may vary under certain circumstances.	

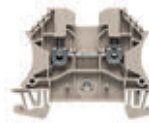
Accessories

Terminal rail, Set		Order No.
	35 mm width	1910080000
Mounting plate		
	Steel sheet, zinc plated	3073080000
Hinge, diecast zinc, Set		1580360000
External mounting feet, set of 4		
	Stainless steel 1.4301	9529080000
Torx®screwdriver		
	uninsulated, Torx® TH20	9009160000
Earthing stud		
	Brass, M6	1277250000
	Stainless steel 1.4404, M6	1283430000
	Brass, M10	1277220000
	Stainless steel 1.4404, M10	1283440000
Compensating element		
	Stainless steel 1.4305, M12	1868550000
	Polyamide 6, M12	1868570000
	Stainless steel 1.4404, M20 for Ex applications	1344630000

Note The accessory sets contain the necessary mounting materials. Necessary on use of 1 hinge per longitudinal side. Helicoil for outdoor applications, available ex-works.

Max. number of terminals (industry)

Assembly with terminal	vertical	horizontal
	2.5 mm ²	* 1x20
	4 mm ²	* 1x16
	6 mm ²	1x12
	10 mm ²	1x10
	16 mm ²	1x8



Note The mounting rails are designed to be installed directly. Assembly with terminals provides for 10 mm clearance to the ends of the mounting rail. Ordering recommendations: TS 35 mounting rail (screw-type terminals) WDU 2.5 1020000000 / (tension clamp terminals) ZDU 2.5 1608510000 *For fitting the enclosures with terminal blocks, please refer to the Terminal block catalogue or the SAK series. We recommend BK 6 or BK 6 CRN (0625220000) for vertical installations. There are no specified mounting options available for mounting the enclosure in a vertical position. There are no pre-defined mounting points set within this enclosure for installing internal equipment in a vertical position.

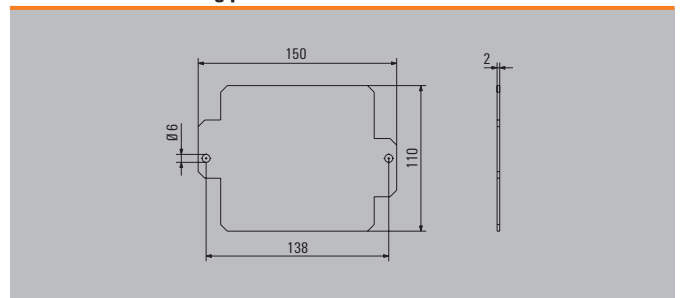
Number of cable entries

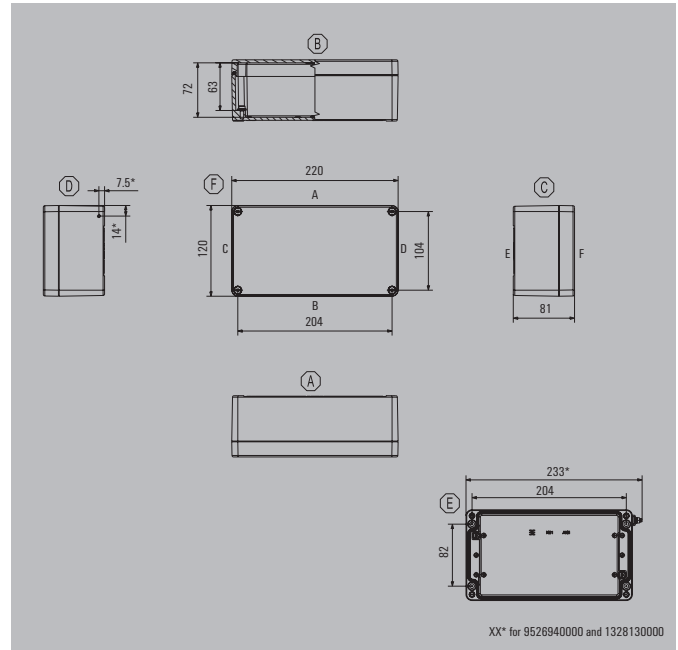
Number of cable entries	A / B	C / D
	M12	11 4
	M16	8 2
	M20	4 1
	M25	3 1
	M32	2 1
	M40	
	M50	
	M63	



Note Our IP68 brass cable glands are used as the reference for these guideline values.

Dimensions of mounting plate





Height / Width / Depth 120 / 220 / 81 mm

Ordering data

powder-coated (RAL 7001)		Order No.
	Standard (CR seal)	9529220000
	Standard (silicone seal)	1937750000
	Ex enclosure (silicone seal)	1328130000
unpainted		
	Standard (CR seal)	1565280000
	Standard (silicone seal)	1939660000
	Ex enclosure (silicone seal)	9526940000
Note	The colours of painted enclosures may vary under certain circumstances.	

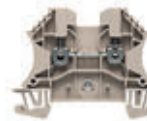
Accessories

Terminal rail, Set		Order No.
	35 mm width	1910090000
Mounting plate		
	Steel sheet, zinc plated	3073090000
Hinge, diecast zinc, Set		
		1580360000
External mounting feet, set of 4		
	Stainless steel 1.4301	9527590000
Torx®screwdriver		
	uninsulated, Torx® TH20	9009160000
Earthing stud		
	Brass, M6	1277250000
	Stainless steel 1.4404, M6	1283430000
	Brass, M10	1277220000
	Stainless steel 1.4404, M10	1283440000
Compensating element		
	Stainless steel 1.4305, M12	1868550000
	Polyamide 6, M12	1868570000
	Stainless steel 1.4404, M20 for Ex applications	1344630000

Note The accessory sets contain the necessary mounting materials. Necessary on use of 2 hinges per longitudinal side. Helicoil for outdoor applications, available ex-works.

Max. number of terminals (industry)

Assembly with terminal	vertical	horizontal
	2.5 mm ²	* 1x31
	4 mm ²	* 1x26
	6 mm ²	1x19
	10 mm ²	1x15
	16 mm ²	



Note The mounting rails are designed to be installed directly. Assembly with terminals provides for 10 mm clearance to the ends of the mounting rail. Ordering recommendations: TS 35 mounting rail (screw-type terminals) WDU 2.5 1020000000 / (tension clamp terminals) ZDU 2.5 1608510000 *For fitting the enclosures with terminal blocks, please refer to the Terminal block catalogue or the SAK series. We recommend BK 6 or BK 6 CRN (0825220000) for vertical installations. There are no pre-defined mounting points set within this enclosure for installing internal equipment in a vertical position.

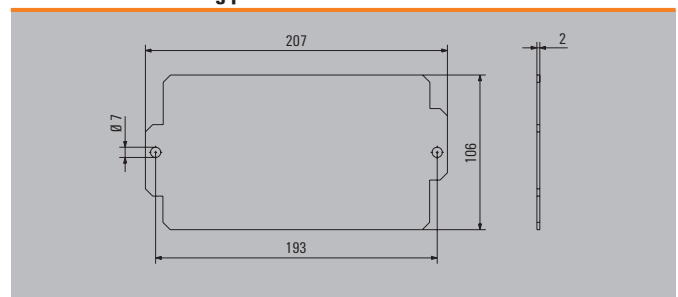
Number of cable entries

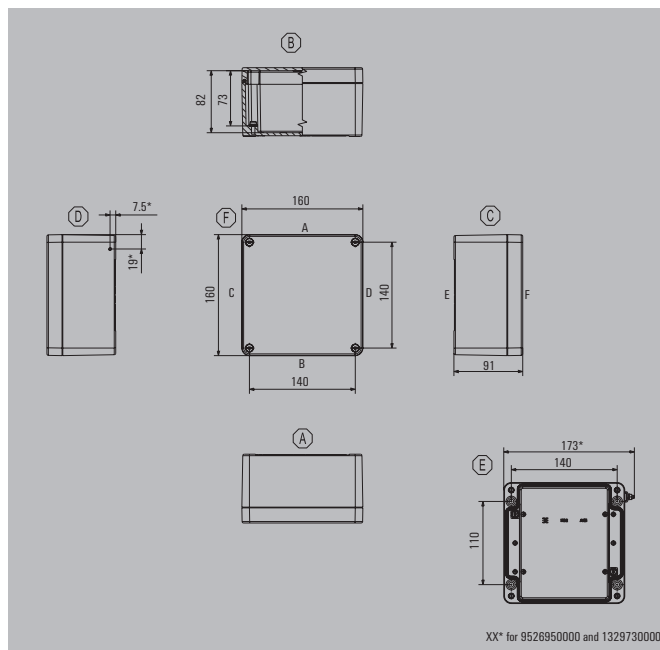
Number of cable entries	A / B	C / D
	M12	23
	M16	14
	M20	8
	M25	5
	M32	3
	M40	3
	M50	
	M63	



Note Our IP68 brass cable glands are used as the reference for these guideline values.

Dimensions of mounting plate





Height / Width / Depth	160 / 160 / 91 mm
------------------------	-------------------

Ordering data

powder-coated (RAL 7001)	Order No.
Standard (CR seal)	9529230000
Standard (silicone seal)	1937740000
Ex enclosure (silicone seal)	1329730000
unpainted	Order No.
Standard (CR seal)	1565290000
Standard (silicone seal)	1939670000
Ex enclosure (silicone seal)	9526950000

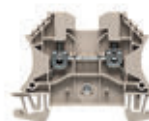
Note The colours of painted enclosures may vary under certain circumstances.

Accessories

Terminal rail, Set	Order No.
35 mm width	1910100000
Mounting plate	Order No.
Steel sheet, zinc plated	3073100000
Hinge, diecast zinc, Set	Order No.
	1580360000
External mounting feet, set of 4	Order No.
Stainless steel 1.4301	9527590000
Torx®screwdriver	Order No.
uninsulated, Torx® TH20	9009160000
Earthing stud	Order No.
Brass, M6	1277250000
Stainless steel 1.4404, M6	1283430000
Brass, M10	1277220000
Stainless steel 1.4404, M10	1283440000
Compensating element	Order No.
Stainless steel 1.4305, M12	1868550000
Polyamide 6, M12	1868570000
Stainless steel 1.4404, M20 for Ex applications	1344630000

Max. number of terminals (industry)

Assembly with terminal	vertical	horizontal
2.5 mm ²	*	1x18
4 mm ²	*	1x15
6 mm ²		1x11
10 mm ²		1x9
16 mm ²		



Note The mounting rails are designed to be installed directly. Assembly with terminals provides for 10 mm clearance to the ends of the mounting rail. Ordering recommendations: TS 35 mounting rail (screw-type terminals) WDU 2.5 1020000000 / (tension clamp terminals) ZDU 2.5 1608510000 *For fitting the enclosures with terminal blocks, please refer to the Terminal block catalogue or the SAK series. We recommend BK 12 or BK 12 CRN (0625320000) for vertical installations. There are no pre-defined mounting points set within this enclosure for installing internal equipment in a vertical position.

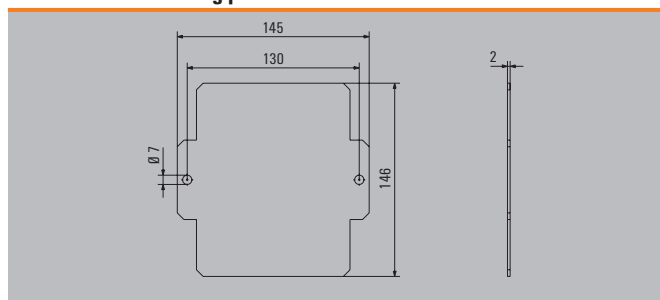
Number of cable entries

Number of cable entries	A / B	C / D
M12	14	8
M16	8	5
M20	5	3
M25	3	2
M32	2	1
M40	1	
M50		
M63		

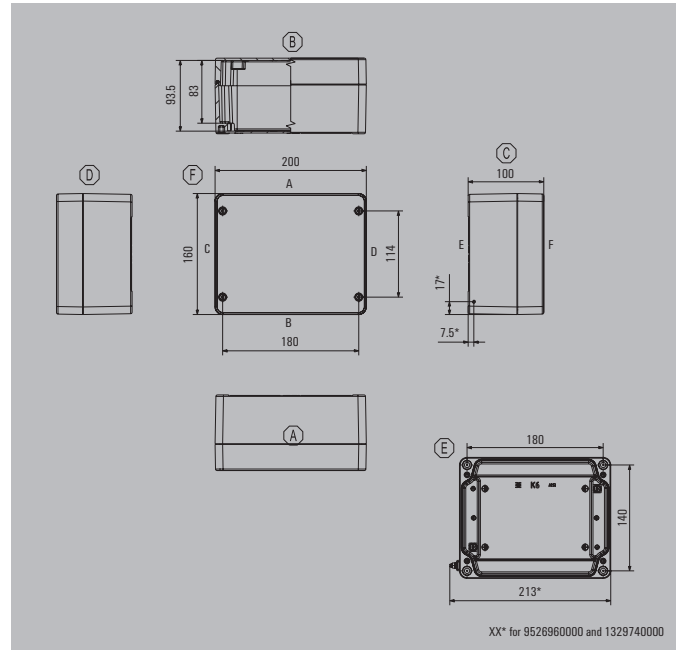


Note Our IP68 brass cable glands are used as the reference for these guideline values.

Dimensions of mounting plate



Note The accessory sets contain the necessary mounting materials. Necessary on use of 1 hinge per longitudinal side. Helicoil for outdoor applications, available ex-works.



Height / Width / Depth 160 / 200 / 100 mm

Ordering data

powder-coated (RAL 7001)		Order No.
	Standard (CR seal)	9529240000
	Standard (silicone seal)	1937870000
	Ex enclosure (silicone seal)	1329740000
unpainted		
	Standard (CR seal)	0342500000
	Standard (silicone seal)	1939690000
	Ex enclosure (silicone seal)	9526960000
Note	The colours of painted enclosures may vary under certain circumstances.	

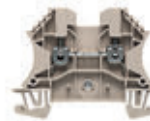
Accessories

Terminal rail, Set		Order No.
	35 mm width	1910110000
Mounting plate		
	Steel sheet, zinc plated	3073110000
Hinge, diecast zinc, Set		
		1580360000
External mounting feet, set of 4		
	Stainless steel 1.4301	9529080000
Torx®screwdriver		
	uninsulated, Torx® TH20	9009160000
Earthing stud		
	Brass, M6	1277250000
	Stainless steel 1.4404, M6	1283430000
	Brass, M10	1277220000
	Stainless steel 1.4404, M10	1283440000
Compensating element		
	Stainless steel 1.4305, M12	1868550000
	Polyamide 6, M12	1868570000
	Stainless steel 1.4404, M20 for Ex applications	1344630000

Note The accessory sets contain the necessary mounting materials. Necessary on use of 2 hinges per longitudinal side. Helicoil for outdoor applications, available ex-works.

Max. number of terminals (industry)

Assembly with terminal	vertical	horizontal
	2.5 mm ²	* 1x25
	4 mm ²	* 1x21
	6 mm ²	1x15
	10 mm ²	1x12
	16 mm ²	1x10



Note The mounting rails are designed to be installed directly. Assembly with terminals provides for 10 mm clearance to the ends of the mounting rail. Ordering recommendations: TS 35 mounting rail (screw-type terminals) WDU 2.5 1020000000 / (tension clamp terminals) ZDU 2.5 1608510000 *For fitting the enclosures with terminal blocks, please refer to the Terminal block catalogue or the SAK series. We recommend BK 12 or BK 12 CRN (0625320000) for vertical installations. There are no pre-defined mounting points set within this enclosure for installing internal equipment in a vertical position.

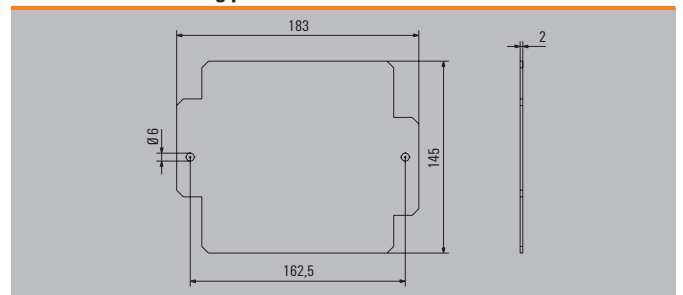
Number of cable entries

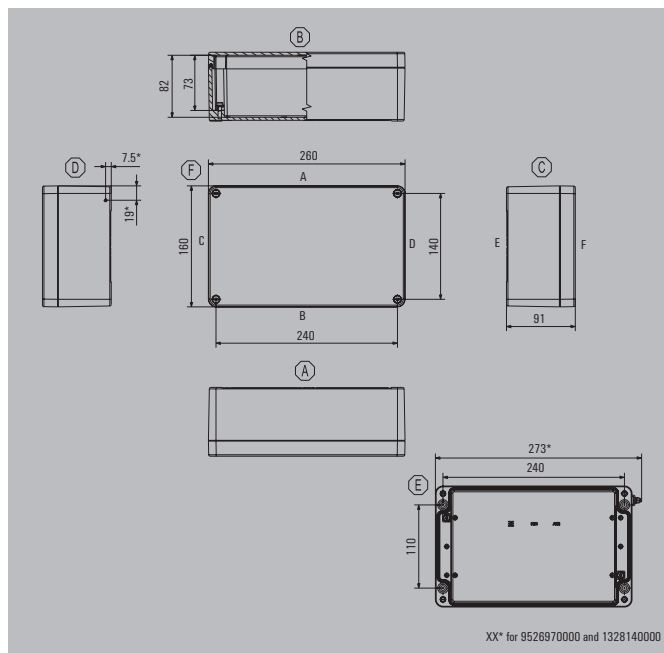
Number of cable entries	A / B	C / D
	M12	17
	M16	12
	M20	7
	M25	4
	M32	3
	M40	2
	M50	1
	M63	



Note Our IP68 brass cable glands are used as the reference for these guideline values.

Dimensions of mounting plate





Height / Width / Depth 160 / 260 / 91 mm

Ordering data

powder-coated (RAL 7001)	Order No.
Standard (CR seal)	9529250000
Standard (silicone seal)	1937730000
Ex enclosure (silicone seal)	1328140000
unpainted	Order No.
Standard (CR seal)	0573600000
Standard (silicone seal)	1939700000
Ex enclosure (silicone seal)	9526970000

Note The colours of painted enclosures may vary under certain circumstances.

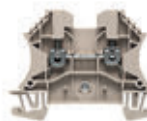
Accessories

Terminal rail, Set	Order No.
35 mm width	1910120000
Mounting plate	Order No.
Steel sheet, zinc plated	3073120000
Hinge, diecast zinc, Set	Order No.
	1580360000
External mounting feet, set of 4	Order No.
Stainless steel 1.4301	9527590000
Torx®screwdriver	Order No.
uninsulated, Torx® TH20	9009160000
Earthing stud	Order No.
Brass, M6	1277250000
Stainless steel 1.4404, M6	1283430000
Brass, M10	1277220000
Stainless steel 1.4404, M10	1283440000
Compensating element	Order No.
Stainless steel 1.4305, M12	1868550000
Polyamide 6, M12	1868570000
Stainless steel 1.4404, M20 for Ex applications	1344630000

Note The accessory sets contain the necessary mounting materials. Necessary on use of 2 hinges per longitudinal side. Helicoil for outdoor applications, available ex-works.

Max. number of terminals (industry)

Assembly with terminal	vertical	horizontal
2.5 mm ²	*	1x38
4 mm ²	*	1x32
6 mm ²		1x24
10 mm ²		1x19
16 mm ²		1x16



Note The mounting rails are designed to be installed directly. Assembly with terminals provides for 10 mm clearance to the ends of the mounting rail. Ordering recommendations: TS 35 mounting rail (screw-type terminals) WDU 2.5 1020000000 / (tension clamp terminals) ZDU 2.5 1608510000 *For fitting the enclosures with terminal blocks, please refer to the Terminal block catalogue or the SAK series. We recommend BK 12 or BK 12 CRN (0625320000) for vertical installations. There are no pre-defined mounting points set within this enclosure for installing internal equipment in a vertical position.

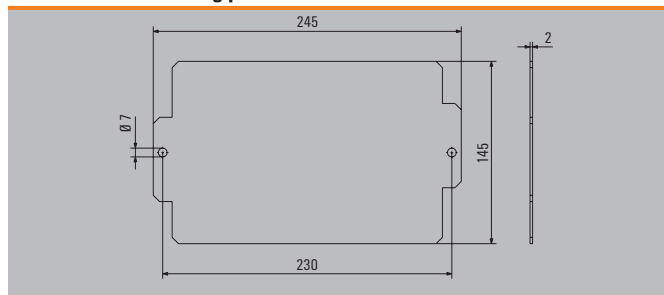
Number of cable entries

Number of cable entries	A / B	C / D
M12	27	8
M16	23	6
M20	13	3
M25	8	2
M32	4	1
M40	3	1
M50		
M63		



Note Our IP68 brass cable glands are used as the reference for these guideline values.

Dimensions of mounting plate





Height / Width / Depth 160 / 350 / 100 mm

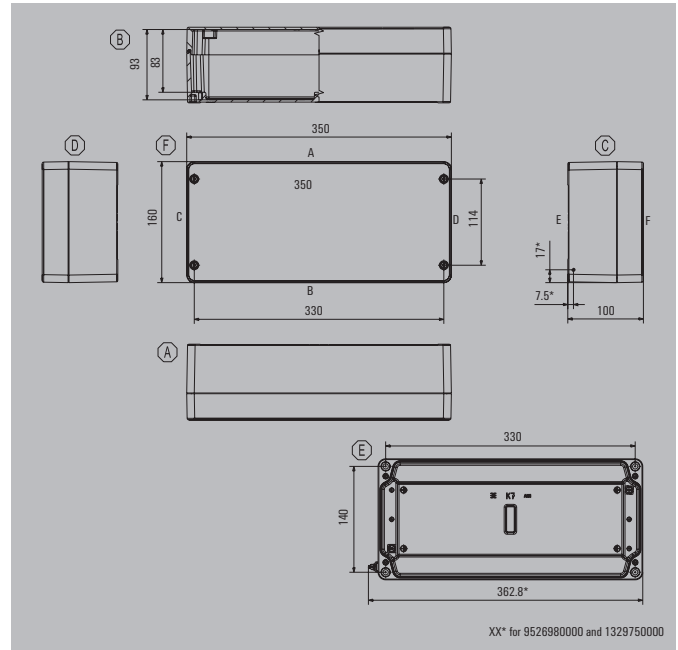
Ordering data

powder-coated (RAL 7001)		Order No.
	Standard (CR seal)	9529260000
	Standard (silicone seal)	1937880000
	Ex enclosure (silicone seal)	1329750000
unpainted		
	Standard (CR seal)	0342600000
	Standard (silicone seal)	1939710000
	Ex enclosure (silicone seal)	9526980000
Note	The colours of painted enclosures may vary under certain circumstances.	

Accessories

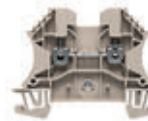
Terminal rail, Set		Order No.
	35 mm width	1910130000
Mounting plate		
	Steel sheet, zinc plated	3073130000
Hinge, diecast zinc, Set		1580360000
External mounting feet, set of 4		
	Stainless steel 1.4301	9529080000
Torx®screwdriver		
	uninsulated, Torx® TH20	9009160000
Earthing stud		
	Brass, M6	1277250000
	Stainless steel 1.4404, M6	1283430000
	Brass, M10	1277220000
	Stainless steel 1.4404, M10	1283440000
Compensating element		
	Stainless steel 1.4305, M12	1868550000
	Polyamide 6, M12	1868570000
	Stainless steel 1.4404, M20 for Ex applications	1344630000

Note The accessory sets contain the necessary mounting materials. Necessary on use of 2 hinges per longitudinal side. Helicoil for outdoor applications, available ex-works.



Max. number of terminals (industry)

Assembly with terminal	vertical	horizontal
	2.5 mm ²	* 1x55
	4 mm ²	* 1x46
	6 mm ²	1x34
	10 mm ²	1x27
	16 mm ²	1x23



Note The mounting rails are designed to be installed directly. Assembly with terminals provides for 10 mm clearance to the ends of the mounting rail. Ordering recommendations: TS 35 mounting rail (screw-type terminals) WDU 2.5 1020000000 / (tension clamp terminals) ZDU 2.5 1608510000 *For fitting the enclosures with terminal blocks, please refer to the Terminal block catalogue or the SAK series. We recommend BK 12 or BK 12 CRN (0625320000) for vertical installations. There are no pre-defined mounting points set within this enclosure for installing internal equipment in a vertical position.

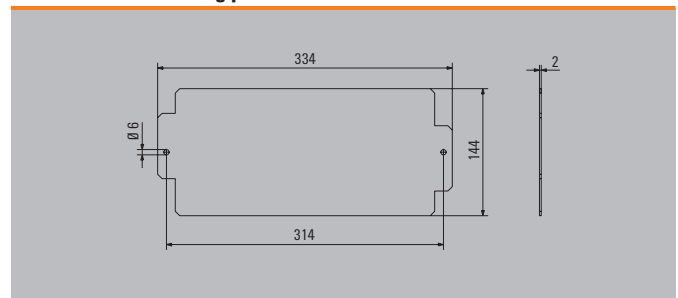
Number of cable entries

Number of cable entries	A / B	C / D
	M12	42
	M16	26
	M20	17
	M25	10
	M32	6
	M40	5
	M50	
	M63	



Note Our IP68 brass cable glands are used as the reference for these guideline values.

Dimensions of mounting plate





230 / 280 / 111 mm

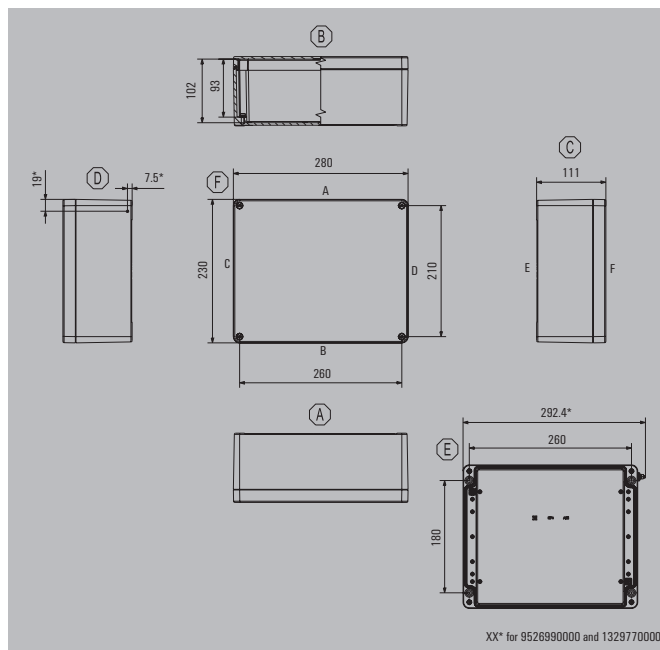
Ordering data

powder-coated (RAL 7001)		Order No.
	Standard (CR seal)	9529270000
	Standard (silicone seal)	1937720000
	Ex enclosure (silicone seal)	1329770000
unpainted		
	Standard (CR seal)	0573700000
	Standard (silicone seal)	1939730000
	Ex enclosure (silicone seal)	9526990000
Note	The colours of painted enclosures may vary under certain circumstances.	

Accessories

Terminal rail, Set		Order No.
	35 mm width	1910140000
Mounting plate		
	Steel sheet, zinc plated	3073140000
Hinge, diecast zinc, Set		1580360000
External mounting feet, set of 4		
	Stainless steel 1.4301	9527590000
Torx®screwdriver		
	uninsulated, Torx® TH20	9009160000
Earthing stud		
	Brass, M6	1277250000
	Stainless steel 1.4404, M6	1283430000
	Brass, M10	1277220000
	Stainless steel 1.4404, M10	1283440000
Compensating element		
	Stainless steel 1.4305, M12	1868550000
	Polyamide 6, M12	1868570000
	Stainless steel 1.4404, M20 for Ex applications	1344630000

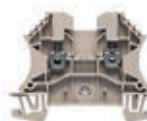
Note The accessory sets contain the necessary mounting materials. Necessary on use of 2 hinges per longitudinal side. Helicoil for outdoor applications, available ex-works.



XX* for 9526990000 and 1329770000

Max. number of terminals (industry)

Assembly with terminal	vertical	horizontal
	2.5 mm ²	* 2x42
	4 mm ²	* 2x35
	6 mm ²	2x26
	10 mm ²	2x21
	16 mm ²	



Note The mounting rails are designed to be installed directly. Assembly with terminals provides for 10 mm clearance to the ends of the mounting rail.
 Ordering recommendations:
 TS 35 mounting rail (screw-type terminals) WDU 2.5 1020000000 / (tension clamp terminals) ZDU 2.5 1608510000
 *For fitting the enclosures with terminal blocks, please refer to the Terminal block catalogue or the SAK series. We recommend BK 12 or BK 12 CRN (0625320000) for vertical installations. There are no pre-defined mounting points set within this enclosure for installing internal equipment in a vertical position.

Number of cable entries

Number of cable entries	A / B	C / D
	M12	42
	M16	30
	M20	21
	M25	12
	M32	10
	M40	4
	M50	3
	M63	2



Note Our IP68 brass cable glands are used as the reference for these guideline values.

Dimensions of mounting plate

