

1. Materials: see 3015 note 1.

2. When earth connection device is fitted for use with lead sheath cables the maximum diameter over lead sheath is as per column 'N3, N4' in the table.

3. STAMPING : All glands to be stamped on the circular band in the following manner:

Stamping Detail

HAWKE 121 SIZE / THREAD / SEAL TYPE / -60°+80°C
IP66 QL7 ONA UK

e.g. HAWKE 121 C / M32 / S / -60°+80°C
IP66 QL7 ONA UK

4. FINISH : This component may be coated or plated to suit the application.

5. OPERATING TEMPERATURE : The standard operating temperature range for this gland is -60°C to + 80°C.

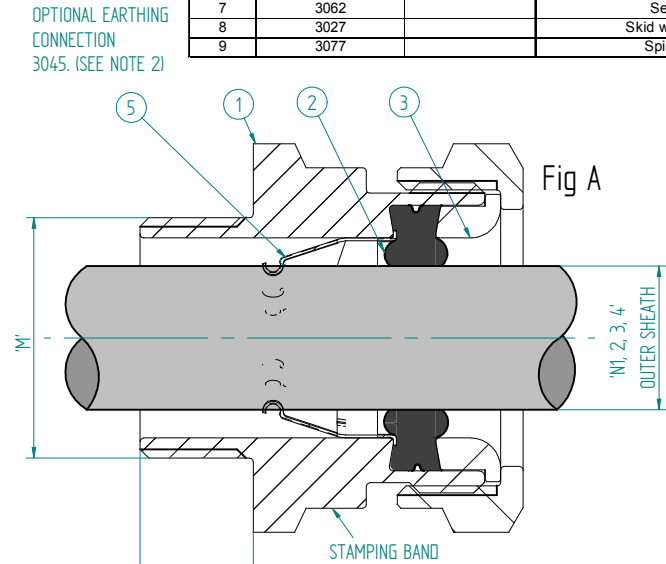
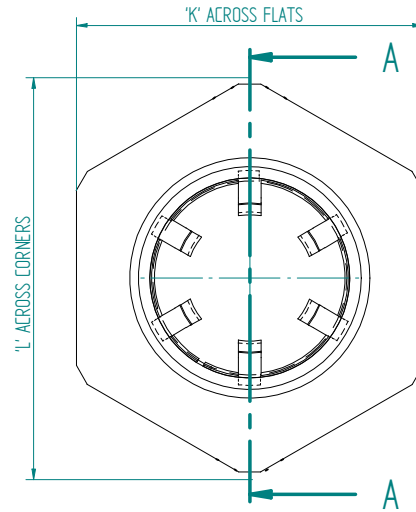
6. SPECIFICATION : In accordance with the relevant requirements of (EN 50262)

7. CABLE : This gland is suitable for non-armoured lead sheathed and or Elastomer or Plastic insulated cables.

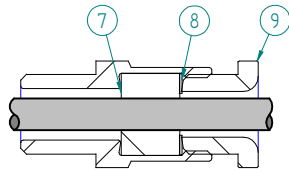
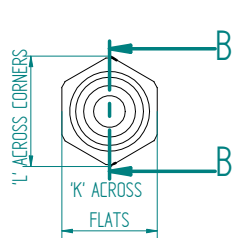
8. VARIATIONS : Alternative gland body can have larger external dimensions with respect to the male coupling thread that are equal or larger to those shown in the table.

9. An option to use the deluge boot, 3000, is available for improved sealing.

Item No.	Part No. Fig A	Alt Part No. Fig B	Description	Qty
1	3044	3250	Entry	1
2	3062 Std / 3005 Alt		Seal	1
3	3025		Spigot	1
4	3109 STD / 3117 ALT	3253	Back nut	1
5	3045 Optional		Continuity ring	1
SIZE 2K ONLY				
6	3080		Entry	1
7	3062		Seal	1
8	3027		Skid washer	1
9	3077		Spigot	1

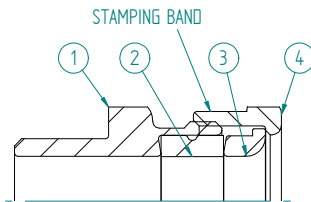


SIZE 2K ONLY



SECTION B-B

ALTERNATIVE ASSY Fig B



SIZE REF.	K'	L'	'M' THREAD SIZES						'P' THREAD LENGTHS					CABLE								U'							
			Metric Conduit	Imperial Conduit	Pg	Parallel threads are medium fit or better			Metric Imperial Pg	BSPP NPSM	BSPT	NPT	NPSM	'N' OUTER SHEATH															
						BSPP BSPT	NPT	NPSM						N1 (3062) SEAL		N3 SEAL WITH 3045 FITTED		N2 (3005) SEAL		N4 SEAL WITH 3045 FITTED									
			MAX	MIN	MAX	MIN	MAX	MIN	MAX	MIN	MAX	MIN	MAX	MIN															
Os	24.0	27.7	M16 M20	3/4"	13.5 or 11.0	1/2"	1/2"	1/2"	15.0	15.0	18.6	19.9	15.0	8.0	3.0														38.0
O	24.0	27.7	M16 M20	3/4"	13.5 or 11.0	1/2"	1/2"	1/2"	15.0	15.0	18.6	19.9	15.0	10.9 10.9 11.9	7.5	10.5	7.5												39.0
A	30.0	34.6	M20	3/4"	16.0	1/2"	1/2"	1/2"	15.0	15.0	18.6	19.9	15.0	14.3	11.0														38.0
B	36.0	41.6	M25	1"	21.0	3/4"	3/4"	3/4"	15.0	15.0	20.0	20.2	15.0	20.2	13.0	19.0	13.0	15.4	9.5	15.4	11.0								41.0
C	46.0	53.1	M32	1 1/4"	29.0	1"	1"	1"	15.0	20.0	23.7	25.0	20.0	26.5	19.0	25.0	19.0	21.2	15.5	21.2	15.5	43.0							43.0
C2	55.0	63.5	M40	1 1/2"	36.0	1 1/4"	1 1/4"	1 1/4"	15.0	20.0	26.0	25.6	20.0	32.5	25.0	31.2	25.0	28.0	22.0	28.0	22.0	42.0							42.0
D	65.0	75.1	M50	2"	42.0	1 1/2"	1 1/2"	1 1/2"	15.0	20.0	30.3	26.9	20.0	42.3	31.5	42.3	31.5	34.8	27.5	34.8	27.5	58.0							58.0
E	80.0	92.4	M63	2 1/2"		2"	2"	2"	15.0	20.0	33.6	26.9	20.0	54.3	44.4	53.3	42.5	46.5	39.0	46.5	39.0	53.0							53.0
F	95.0	109.6	M75	3"		2 1/2"	2 1/2"	2 1/2"	15.0	20.0	36.8	26.9	20.0	65.3	54.5	64.3	54.5	58.3	48.5	58.3	48.5	56.0							56.0
2K	19.0	21.2	M16						15.0					8.0	3.0													39.0	

A3 THIS IS A CAD DRAWING AND MUST BE EDITED AT SOURCE



OXFORD ST WEST
ASHTON-U-LYNE
QL7 ONA
TEL: +44 (0)161 308 3611

ALL COPYRIGHT RESERVED - HAWKE INTERNATIONAL 2005
THIS DRAWING AND ALL COPYRIGHT THEREIN IS THE PROPERTY OF HAWKE INTERNATIONAL, A DIVISION OF HUBBELL LIMITED.
(A member of the Hubbell Group of Companies.)

(COPYRIGHT CONDITION: THIS DRAWING SHALL BE USED ONLY FOR THE PURPOSE FOR WHICH IT IS PROVIDED AND NO REPRODUCTION OR PUBLICATION OF THIS DRAWING MAY BE MADE AND NO ARTICLE MAY BE MANUFACTURED OR ASSEMBLED IN ACCORDANCE WITH THIS DRAWING WITHOUT THE PRIOR WRITTEN CONSENT OF THE OWNER.

REMOVE ALL BURRS AND SHARP EDGES USING MINIMUM CHAMFER OR RADIUS PARTICULARLY REMOVE ALL BURRS FROM START AND FINISH OF THREADS



DO NOT SCALE IF IN DOUBT ASK

GENERAL TOLERANCES

LINEAR ±
ANGULAR ±

UNLESS OTHERWISE STATED

ALTERNATIVE ASSEMBLY ADDED Fig B, PARTS ADDED TO BOM
NEW BORDER, DWG FORMAT ALTERED, BOM ADDED,
1:80 WAS 0600
OPERATING TEMPERATURE RANGE WAS -60 TO +80°C, NOW -60 TO +100°C

FIRST ISSUE
MODIFICATION

DMJ	22/10/07	HCG	07/01/03	G
A.O.	26/11/04	HCG	05/01/03	F
		HCG	01/01/02	B
		HCG01/012		A
DATE	02/05/01			
UNITS	MM			

DRN BR
CHD A.O.
DATE 02/05/01
UNITS MM
TITLE
GENERAL ARRANGEMENT FOR UNARMoured 121 GLAND.

DRG. No.
121
SCALE N.T.S. SHEET 1 OF 1