

GWR Glass fibre reinforced polyester resin junction boxes

Installation: hazardous areas - Zone 1 / 2 (Gases) - Zone 21 / 22 (Dusts)

Classification: Group II - Category 2G 2D

Explosion Proof Electrical Equipment



Ex Enclosures



GWR

www.feam-ex.com



REFERENCE STANDARDS

Directive 94/9/EC (until April 19th, 2016) and Directive 2014/34/EU (from April 20th, 2016)

EXECUTION	<ul style="list-style-type: none"> ⊗ II 2 G Ex d e ia/ib mb IIC T6 or T3 Gb ⊗ II 2 D Ex tb IIIC T85°C or T100°C Db
RULES OF COMPLIANCE	EN/IEC 60079-0; EN/IEC 60079-1; EN/IEC 60079-7; EN/IEC 60079-11; EN/IEC 60079-18; EN/IEC 60079-31
EC Type-Examination Certificate	INERIS 13 ATEX 0042
PROTECTION DEGREE	IP66
AMBIENT TEMPERATURE	-50°C ÷ +55°C
OTHER AVAILABLE CERTIFICATES	Component: INERIS 13ATEX 9009U IECEx: IECEx INE 13.0058 IECEx (component): IECEx INE 13.0021U INMETRO: CEPEL 13.2287 INMETRO (component): CEPEL 13.2273U EAC: TC RU C-IT.Γ608.B.01499 RINA: ELE18111CS_011 RUSSIAN MARINE CERTIFICATE (RMRS): 13.03518.315 NEC 505: UL 20141112-E465037 - Type rating NEMA 1, 12, 4 and 4X

Mechanical characteristics

Body	glass fibre reinforced polyester resin
Cover	glass fibre reinforced polyester resin
Screws	external - stainless steel
Internal plate	aluminium sp. 1,5mm
Gasket	silicon rubber
Strenght	4 Joule impact resistance

On Request Accessories:

- Drain and breather valves

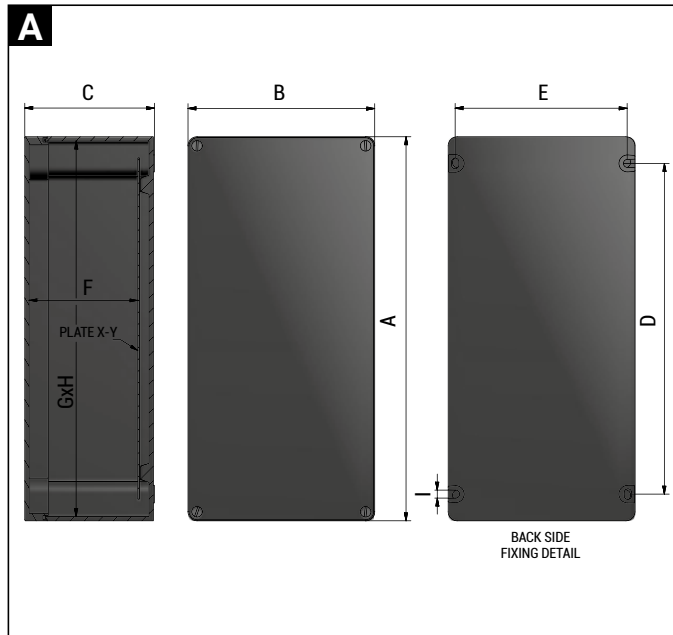


GWR Technical Features

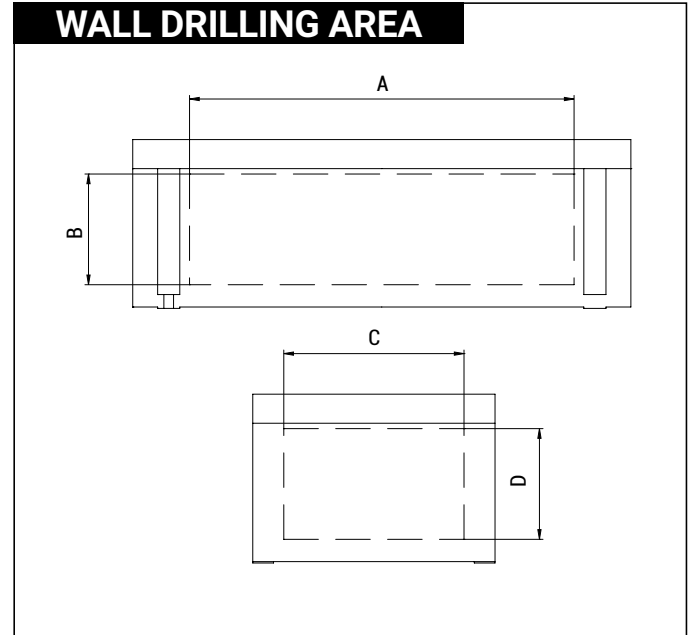
CODE	A [mm]	B [mm]	C [mm]	D [mm]	E [mm]	F [mm]	G [mm]	H [mm]	I [mm]	INT. PLATE X - Y [mm]	WEIGHT [Kg]	DETAIL
GWR11(1)	110	110	86	96	96	65	102	102	7	-	0,30	A
GWR14(1)	140	140	84	108	110	62	132	132	7	-	0,40	A
GWR21(1)	175	85	121	125	72	102	167	77	7	-	0,88	A
GWR22(1)	175	175	121	162	125	100	167	167	7	135 - 135	1,25	A
GWR42(1)	360	175	121	310	161	102	352	167	7	320 - 135	2,50	A
GWR44(1)	360	360	121	346	307	102	352	352	7	320 - 320	3,40	A
GWR84(1)	730	360	168	670	340	147	720	350	8	670 - 310	8,00	A

(1) ENCLOSURE'S COLOUR: N = DARK GREY RAL7021 - B = LIGHT BLUE RAL5015 / EXAMPLE: GWR14N = COLOUR DARK GREY RAL 7021 GWR42B = COLOUR LIGHT BLUE RAL5015

Reference Details



Reference Details



GWR Body Enclosures Drilling Layout

ENCLOSURE CODE	DRILLING AREA A-B [mm]	QUANTITY ALLOWED ENTRIES FOR SIZE (from 1 to size 8)							
		1	2	3	4	5	6	7	8
GWR11N	64 x 52	1	1	1	1	-	-	-	-
GWR14N	90 X 52	2	1	1	1	-	-	-	-
GWR21	108 - 85	4	2	2	2	1	1	1	-
GWR22	125 - 85	5	3	2	2	1	1	1	-
GWR42	310 - 85	12	8	7	5	4	4	3	-
GWR44	310 - 85	12	8	7	5	4	4	3	-
GWR84N	640 - 115	35	23	20	17	13	9	7	5

DRILLING AREA C-D [mm]	QUANTITY ALLOWED ENTRIES FOR SIZE (from 1 to size 8)							
	1	2	3	4	5	6	7	8
64 x 52	1	1	1	-	-	-	-	-
90 X 52	2	1	1	1	-	-	-	-
37 - 85	2	-	-	-	-	-	-	-
125 - 85	5	3	2	2	1	1	1	-
125 - 85	5	3	2	2	1	1	1	-
310 - 85	12	8	7	5	4	4	3	-
310 - 115	17	11	9	8	6	4	3	2

GWR Indicative quantity of terminals and relevant section

CODE ENCLOSURE	SECT. 2,5 [sq/mm]	SECT. 6,0 [sq/mm]	SECT. 10,0 [sq/mm]	SECT. 16,0 [sq/mm]	SECT. 35,0 [sq/mm]	SECT. 50,0 [sq/mm]	SECT. 70,0 [sq/mm]	SECT. 240,0 [sq/mm]	INT. PLATE X - Y [mm]
GWR11N	12 x 1	8 x 1	6 x 1	5 x 1	3 x 1	3 x 1	1 x 1	1 x 1	-
GWR14N	18 x 1	10 x 1	8 x 1	7 x 1	5 x 1	4 x 1	2 x 1	1 x 1	-
GWR21	18 x 1	10 x 1	8 x 1	7 x 1	5 x 1	4 x 1	2 x 1	1 x 1	-
GWR22	20 x 1	10 x 1	10 x 1	6 x 1	6 x 1	4 x 1	2 x 1	1 x 1	135 - 135
GWR42	48 x 1	28 x 1	24 x 1	20 x 1	12 x 1	10 x 1	4 x 1	2 x 1	320 - 135
GWR44	48 x 2	28 x 2	24 x 2	20 x 2	12 x 2	10 x 2	8 x 1	4 x 1	320 - 320
GWR84N	120 x 2	70 x 2	60 x 2	50 x 2	44 x 2	30 x 2	20 x 1	14 x 1	670 - 310