



The Protecta III is a proven and reliable T8 fluorescent luminaire. The Protecta's rugged, corrosion resistant construction (IP66/IP67) combined with an advanced high frequency ballast ensure minimum product maintenance is required.

When access is required the Protecta III features an easy access clamp bar and automatic lamp de-energisation to allow quick and easy re-lamping.

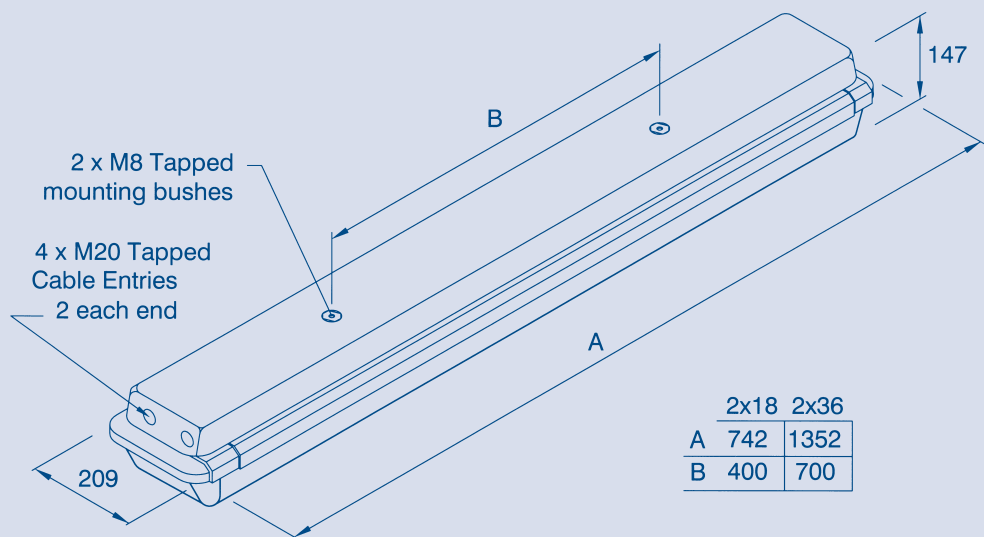
Standard Specification		Features
Type of Protection	Ex e mb q (Increased safety Encapsulation Powder filling)	Simple rugged construction
ATEX Classification	Group II Category 2 GD	Full length easy access diffuser clamp
Area Classification	Zone 1 and 21 areas to EN 60079-10-1 and EN 60079-10-2 with installation to EN 60079-14	Advanced control gear gives 50/60Hz operation, high power correction factor and regulated lamp output that is 20% greater at -20°C than competitors
Certificate	EC Type Examination Certificate Baseefa04ATEX0220	Resistant to voltage fluctuations
Coding	Ⓔ II 2 GD Ex e mb q IIC T4 Tamb 55°C	dc operation
Enclosure	GRP body with polycarbonate cover and brass suspension points	Automatic lamp de-energisation on opening
Reflector/Geartray	White polyester painted zinc coated steel	Quick release mains terminals
Entry	4 x M20 cable entries, 2 at each end	DTS-01 deluge tested
Termination	Quick release mains terminals - 3 core 4mm <sup>2</sup> max. conductor with looping and 16A rating through wiring. (6mm <sup>2</sup> terminations available - /SC option)	Vibration tested to comply with Lloyds/DNV
Installation	Two M8 tapped brass inserts located on rear of body	End of life (EOL) protection to IEC 60079-7 (with EOL I and EOL II functionality)
Control Gear	High Frequency	<b>International Approvals</b> ATEX, GB (China), GOST, CSA and CEPEL IECEx Compliant
Relamping	Quick release diffuser clamp and hinged cover	
Lampholder	G13 (Bi-pin)	
Burning Position	Universal	
Ingress Protection	IP66/67 to EN 60529	
Electrical Supply	220V - 254V 50/60Hz, 220 - 300V dc	

Std. Cat No.	Wattage	Lamp	TClass	T°C (Dust)	Ambient °C	Weight
PRGE/218/BI	2x18W	T8	T4	85	-20 to +55	5.9kg
PRGE/236/BI	2x36W	T8	T4	85	-20 to +55	9.5kg
PRGE/218/MO	2x18W	T8	T4	85	-20 to +55	5.9kg
PRGE/236/MO	2x36W	T8	T4	85	-20 to +55	9.5kg

MO - Mono-pin (Fa6 Cap) Lamps. Mono-pin Coding: Ex d e q.

## Options – Suffix to Catalogue No.

/120	Specific voltage (110/130)	/3P	3 phase termination facility (Not available if looping required)
/M25	M25 cable entries	/LBE	Looping both ends
/SC	Screwed connection terminal block (up to 6mm <sup>2</sup> conductors)	/EL	Extra live termination facility (to match emergency circuit)
/SB	Stainless steel mounting bush	/SE	Spigot entry



## Accessories Should be ordered separately

## Catalogue Order Code

Pole mounting bracket assembly (38-42mm diameter poles)	SPOL4-100001
Pole mounting bracket assembly (48-52mm diameter poles)	SPOL4-100002
Pole mounting bracket assembly (58-62mm diameter poles)	SPOL4-100003
Hook type ceiling bracket assembly	SPRO4-0005
Ceiling mounting bracket assembly	SPRO4-0002
Eyebolt mounting assembly	SPRO5-0005
Flush mounting wall bracket assembly	SPRO4-0006
Looping kit (allows looping from both ends of luminaire)	SPROT-0021

Product design and specifications are subject to change without notice, please check the Chalmit® website for latest specifications.

# PROTECTA III

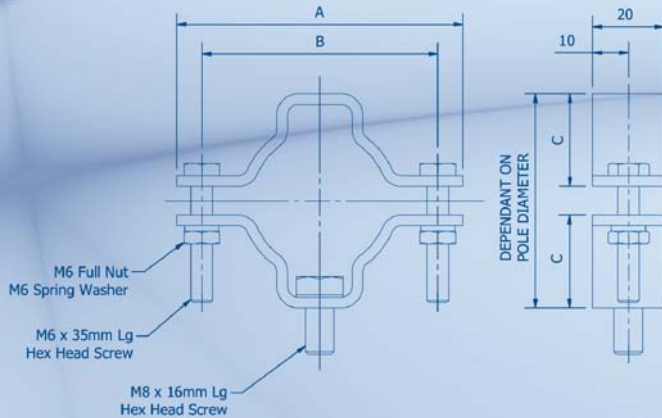
3

## Pole Mounting Bracket Assembly

Cat No. SPOL4-100001/100002/100003



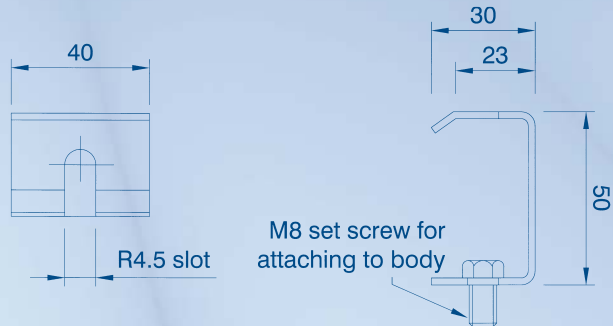
Pole mounting bracket to suit pole diameter  
 (38-42mm) SPOL4-100001  
 (48-52mm) SPOL4-100002  
 (58-62mm) SPOL4-100003



PART DETAILS				
Part Code	Part Description	A	B	C
SPOL4-100001	PROTECTA 38-42 P/M ASSY	80mm	66mm	26mm
SPOL4-100002	PROTECTA 48-52 P/M ASSY	90mm	76mm	32mm
SPOL4-100003	PROTECTA 58-62 P/M ASSY	96mm	80mm	38mm

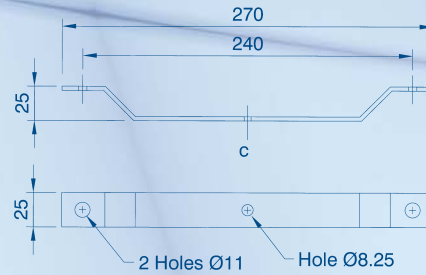
## Hook Type Ceiling Bracket Assembly

Cat No. SPRO4-0005



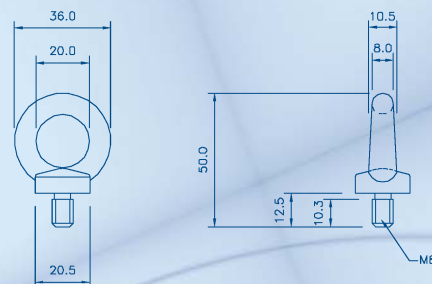
## Ceiling Mounting Bracket Assembly

Cat No. SPRO4-0002



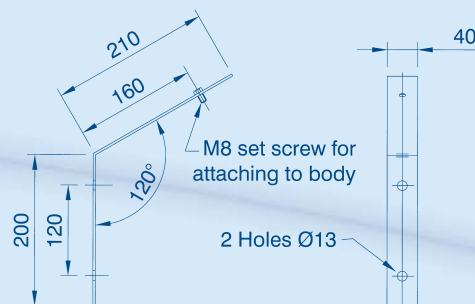
## Eyelet Mounting Assembly

Cat No. SPRO5-0005



## Flush Mounting Wall Bracket Assembly

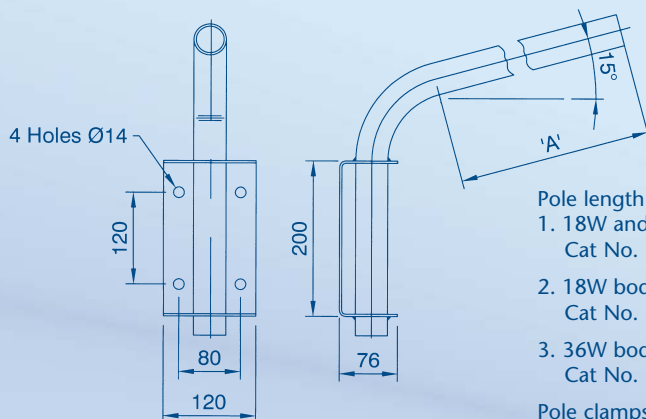
Cat No. SPRO4-0006



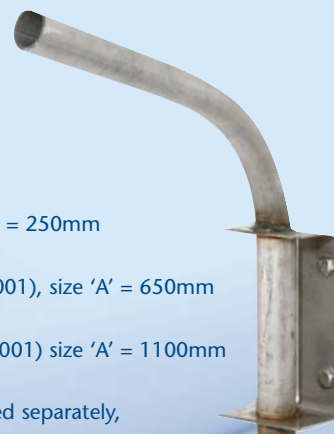
Note: All brackets are made from 316 Stainless Steel

## Wall Mounting Outreach Bracket

Cat No. NPRO4-0007/0008/0012

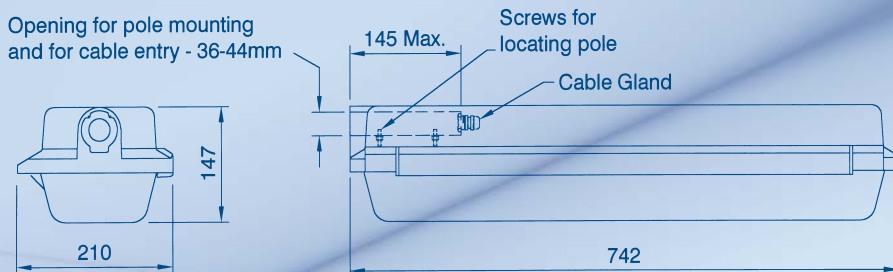


- Pole length 'A' for use with the following:
1. 18W and 36W spigot entry body, size 'A' = 250mm  
Cat No. NPRO4-0007
  2. 18W body c/w pole clamps (SPOL4-100001), size 'A' = 650mm  
Cat No. NPRO4-0008
  3. 36W body c/w pole clamps, (SPOL4-100001) size 'A' = 1100mm  
Cat No. NPRO4-0012
- Pole clamps for items 2 & 3 must be ordered separately, see SPOL4-100001



## 18W Spigot Entry

Cat No. PRGE/218/BI/SE



## 36W Spigot Entry

Cat No. PRGE/236/BI/SE

